

**Absolute Pressure and
Gauge Pressure Transmitters
EJ□510□, EJ□530□,
EJX610A and EJX630A**

IM 01C25F01-01E



Absolute Pressure and Gauge Pressure Transmitters EJ□510□, EJ□530□, EJX610A and EJX630A

IM 01C25F01-01E 14th Edition

Contents

1.	Introduction.....	1-1
	■ Regarding This Manual.....	1-1
	■ Trademarks	1-2
1.1	Safe Use of This Product	1-2
1.2	Warranty.....	1-4
2.	Handling Cautions.....	2-1
2.1	Model and Specifications Check.....	2-1
2.2	Unpacking.....	2-1
2.3	Storage	2-1
2.4	Selecting the Installation Location	2-2
2.5	Pressure Connection.....	2-2
2.6	Waterproofing of Cable Conduit Connections	2-2
2.7	Restrictions on Use of Radio Transceivers	2-2
2.8	Insulation Resistance and Dielectric Strength Test.....	2-3
2.9	Installation of an Explosion-Protected Instrument.....	2-3
	2.9.1 FM Approval.....	2-4
	2.9.2 CSA Certification.....	2-6
	2.9.3 ATEX Certification.....	2-8
	2.9.4 IECEx Certification.....	2-13
2.10	EMC Conformity Standards.....	2-15
2.11	Pressure Equipment Directive (PED)	2-15
2.12	EU RoHS Directive	2-16
2.13	Safety Requirement Standards	2-16
3.	Component Names	3-1
4.	Installation.....	4-1
4.1	Precautions	4-1
4.2	Mounting	4-1
4.3	Rotating Transmitter Section.....	4-2
4.4	Changing the Direction of Integral Indicator	4-2

5.	Installing Impulse Piping	5-1
5.1	Impulse Piping Installation Precautions	5-1
5.1.1	Connecting Impulse Piping to a Transmitter	5-1
5.1.2	Routing the Impulse Piping	5-1
5.2	Impulse Piping Connection Examples	5-2
6.	Wiring	6-1
6.1	Wiring Precautions	6-1
6.2	Selecting the Wiring Materials	6-1
6.3	Connections of External Wiring to Terminal Box	6-1
6.3.1	Power Supply Wiring Connection	6-2
6.3.2	External Indicator Connection	6-2
6.3.3	Communicator Connection	6-2
6.3.4	Check Meter Connection	6-2
6.3.5	Status Output Connection	6-3
6.4	Wiring	6-3
6.4.1	Loop Configuration	6-3
6.4.2	Wiring Installation	6-4
6.5	Grounding	6-5
6.6	Power Supply Voltage and Load Resistance	6-5
7.	Operation	7-1
7.1	Preparation for Starting Operation	7-1
7.2	Zero Point Adjustment	7-3
7.3	Starting Operation	7-4
7.4	Shutting Down the Transmitter	7-4
7.5	Local Parameter Setting	7-4
7.5.1	Local Parameter Setting (LPS) Overview	7-5
7.5.2	Activating Local Parameter Setting	7-6
7.5.3	Parameter Setting Review	7-6
7.5.4	Tag Number Configuration	7-7
7.5.5	Pressure Unit Configuration	7-7
7.5.6	Pressure LRV/URV Configuration	7-7
7.5.7	Damping Time Constant Configuration	7-8
7.5.8	Output Mode Configuration	7-8
7.5.9	Display Out 1 Configuration	7-8
7.5.10	Re-range by applying actual pressure (LRV/URV)	7-8
7.5.11	Save or Cancel	7-9
7.5.12	Abort Configuration	7-9
7.5.12.1	Abort Configuration (Menu)	7-9
7.5.12.2	Abort Configuration (Parameter)	7-9
7.5.13	Local Parameter Setting Lock	7-9
7.5.14	Others	7-9

8.	Maintenance	8-1
8.1	Overview	8-1
8.2	Calibration Instruments Selection	8-1
8.3	Calibration	8-1
8.4	Disassembly and Reassembly	8-3
	8.4.1 Replacing the Integral Indicator	8-3
	8.4.2 Replacing the CPU Board Assembly	8-4
	8.4.3 Cleaning and Replacing the Capsule Assembly	8-4
8.5	Troubleshooting.....	8-5
	8.5.1 Basic Troubleshooting	8-6
	8.5.2 Troubleshooting Flowcharts.....	8-6
	8.5.3 Alarms and Countermeasures.....	8-8
9.	General Specifications	9-1
9.1	Standard Specifications.....	9-1
9.2	Model and Suffix Codes	9-5
9.3	Optional Specifications “◇”	9-8
9.4	Dimensions.....	9-11

Revision Information

When using the Transmitters in a Safety Instrumented Systems(SIS) application, refer to Appendix A in either IM 01C25T01-06EN for the HART protocol or IM 01C25T03-01E for the BRAIN protocol.

1. Introduction

Thank you for purchasing the DPharp EJX and EJA Differential Pressure and pressure transmitter.

Your transmitter was precisely calibrated at the factory before shipment. To ensure both safety and efficiency, please read this manual carefully before you operate the instrument.



NOTE

This manual describes the hardware configurations of the transmitters listed in below. For information on the software configuration and operation, please refer to either IM 01C25T03-01E for the BRAIN communication type, or IM 01C25T01-06EN for the HART communication type.

For FOUNDATION Fieldbus protocol type, please refer to IM 01C25T02-01E.

For PROFIBUS PA protocol type, please refer to IM 01C25T04-01EN.

Model	Style code
EJX510A	S2
EJX530A	S2
EJX610A	S1
EJX630A	S1
EJA510E	S1, S2
EJA530E	S1, S2

To ensure correct use of this instrument, read both the hardware and software manuals thoroughly before use. When the transmitter is used as a component of Digital Remote Sensor (EJXC40A), please refer to IM 01C25W05-01EN.



WARNING

When using the transmitters in a Safety Instrumented Systems (SIS) application, refer to Appendix 1 in either IM 01C25T01-06EN for the HART protocol or IM 01C25T03-01E for the BRAIN protocol. The instructions and procedures in this section must be strictly followed in order to maintain the transmitter for this safety level.



NOTE

When describing the model name like EJ□510□ or EJ□530□, it shows the applicability for both EJX510A and EJA510E or EJX530A and EJA530E.



NOTE

Unless otherwise stated, the illustrations in this manual are of the EJ□530□ gauge pressure transmitter.

Users of the EJ□510□, EJX610A and EJX630A should bear in mind that certain features of their instrument will differ from those shown in the illustrations of the EJ□530□.

■ Regarding This Manual

- This manual and the identification tag attached on the packing box are essential parts of the product. Please keep them in a safe place for future reference.
- This manual should be provided to the end user.
- The contents of this manual are subject to change without prior notice.
- All rights reserved. No part of this manual may be reproduced in any form without Yokogawa's written permission.
- Yokogawa makes no warranty of any kind with regard to this manual, including, but not limited to, implied warranty of merchantability and fitness for a particular purpose.
- If any question arises or errors are found, or if any information is missing from this manual, please inform the nearest Yokogawa sales office.
- The specifications covered by this manual are limited to those for the standard type under the specified model number break-down and do not cover custom-made instruments.

- Please note that changes in the specifications, construction, or component parts of the instrument may not immediately be reflected in this manual at the time of change, provided that postponement of revisions will not cause difficulty to the user from a functional or performance standpoint.
- Yokogawa assumes no responsibility for this product except as stated in the warranty.
- If the customer or any third party is harmed by the use of this product, Yokogawa assumes no responsibility for any such harm owing to any defects in the product which were not predictable, or for any indirect damages.
- The following safety symbols are used in this manual:



WARNING

Indicates a potentially hazardous situation which, if not avoided, could result in death or serious injury.



CAUTION

Indicates a potentially hazardous situation which, if not avoided, may result in minor or moderate injury. It may also be used to alert against unsafe practices.



IMPORTANT

Indicates that operating the hardware or software in this manner may damage it or lead to system failure.



NOTE

Draws attention to information essential for understanding the operation and features.

⎓ Direct current

⏏ Functional grounding terminal

⚠ Caution

This symbol indicates that the operator must refer to an explanation in the user’s manual in order to avoid the risk of injury or death of personnel or damage to the instrument.

■ **Trademarks**

- ‘DPharp’, ‘EJX’, ‘EJA’, ‘FieldMate’ and ‘BRAIN TERMINAL’ are registered trademarks or trademarks of Yokogawa Electric Corporation. Company names and product names used in this material are registered trademarks or trademarks of their respective owners.
- In this manual, trademarks or registered trademarks are not marked with ™ or ®.

1.1 Safe Use of This Product

For the safety of the operator and to protect the instrument and the system, please be sure to follow this manual’s safety instructions when handling this instrument. If these instructions are not heeded, the protection provided by this instrument may be impaired. In this case, Yokogawa cannot guarantee that the instrument can be safely operated. Please pay special attention to the following points:

(a) Installation



WARNING

- The instrument must be installed by an expert engineer or a skilled personnel. The procedures described about INSTALLATION are not permitted for operators.
- In case of high process temperature, care should be taken not to burn yourself because the surface of body and case reaches a high temperature.
- The instrument installed in the process is under pressure. Never loosen the process connector bolts to avoid the dangerous spouting of process fluid.
- During draining condensate from the pressure detector section, take appropriate care to avoid contact with the skin, eyes or body, or inhalation of vapors, if the accumulated process fluid may be toxic or otherwise harmful.
- When removing the instrument from hazardous processes, avoid contact with the fluid and the interior of the meter.
- All installation shall comply with local installation requirement and local electrical code.

(b) Wiring

 **WARNING**

- The instrument must be installed by an expert engineer or a skilled personnel. The procedures described about WIRING are not permitted for operators.
- Please confirm that voltages between the power supply and the instrument before connecting the power cables and that the cables are not powered before connecting.

(c) Operation

 **WARNING**

- Wait 5 min. after power is turned off, before opening the covers.
- Do not open the cover in wet weather or humid environment. If the cover is opened, stated enclosure protection is not applicable.

(d) Maintenance

 **WARNING**

- Please do not carry out except being written to maintenance descriptions. When these procedures are needed, please contact nearest YOKOGAWA office.
- Care should be taken to prevent the build up of drift, dust or other material on the display glass and name plate. In case of its maintenance, soft and dry cloth is used.

(e) Explosion Protected Type Instrument

 **WARNING**

- Users of explosion proof instruments should refer first to section 2.4 (Installation of an Explosion Protected Instrument) of this manual.
- The use of this instrument is restricted to those who have received appropriate training in the device.
- Take care not to create sparks when accessing the instrument or peripheral devices in a hazardous location.

(f) Modification

 **WARNING**

Yokogawa will not be liable for malfunctions or damage resulting from any modification made to this instrument by the customer.

(g) Product Disposal

The instrument should be disposed of in accordance with local and national legislation/ regulations.

(h) Authorized Representative in EEA

In relation to the CE Marking, The authorized representative for this product in the EEA (European Economic Area) is:
Yokogawa Europe B.V.
Euroweg 2, 3825 HD Amersfoort, The Netherlands

(i) Control of Pollution Caused by the Product

This is an explanation for the product based on "Control of Pollution caused by Electronic Information Products" in the People's Republic of China. The information is valid only in China.

产品中有害物质或元素的名称及含量

型号	部件名称	有害物质					
		铅 (Pb)	汞 (Hg)	镉 (Cd)	六价铬 (Cr(VI))	多溴联苯 (PBB)	多溴二苯醚 (PBDE)
EJX/EJA-E Series 差压/压力变送器	壳体	×	○	○	○	○	○
	膜盒组件	×	○	○	○	○	○
	基板组件	×	○	○	○	○	○
	电源连接线	×	○	○	○	○	○
○：表示该部件的所有均质材料中的有害物质的含量均在 GB/T26572 标准中所规定的限量以下。 ×：表示至少该部件的某些均质材料中的有害物质的含量均在 GB/T26572 标准中所规定的限量以上。							

环保使用期限：



该标识适用于 SJ /T11364 中所述，在中华人民共和国销售的电子电气产品的环保使用期限。

注) 该年数为“环保使用期限”，并非产品的质量保证期。

1.2 Warranty

- The warranty shall cover the period noted on the quotation presented to the purchaser at the time of purchase. Problems occurring during the warranty period shall basically be repaired free of charge.
- If any problems are experienced with this instrument, the customer should contact the Yokogawa representative from which this instrument was purchased or the nearest Yokogawa office.
- If a problem arises with this instrument, please inform us of the nature of the problem and the circumstances under which it developed, including the model specification and serial number. Any diagrams, data and other information you can include in your communication will also be helpful.
- The party responsible for the cost of fixing the problem shall be determined by Yokogawa following an investigation conducted by Yokogawa.
- The purchaser shall bear the responsibility for repair costs, even during the warranty period, if the malfunction is due to:
 - Improper and/or inadequate maintenance by the purchaser.
 - Malfunction or damage due to a failure to handle, use, or store the instrument in accordance with the design specifications.
 - Use of the product in question in a location not conforming to the standards specified by Yokogawa, or due to improper maintenance of the installation location.
 - Failure or damage due to modification or repair by any party except Yokogawa or an approved representative of Yokogawa.
 - Malfunction or damage from improper relocation of the product in question after delivery.
 - Reason of force majeure such as fires, earthquakes, storms/floods, thunder/lightening, or other natural disasters, or disturbances, riots, warfare, or radioactive contamination.

2. Handling Cautions

This chapter provides important information on how to handle the transmitter. Read this carefully before using the transmitter.

The transmitters are thoroughly tested at the factory before shipment. When taking delivery of an instrument, visually check them to make sure that no damage occurred during shipment.

Also check that all transmitter mounting hardware shown in figure 2.1 is included. If the transmitter is ordered without the mounting bracket and the process connector, the transmitter mounting hardware will not be included. After checking the transmitter, carefully repack it in its box and keep it there until you are ready to install it.

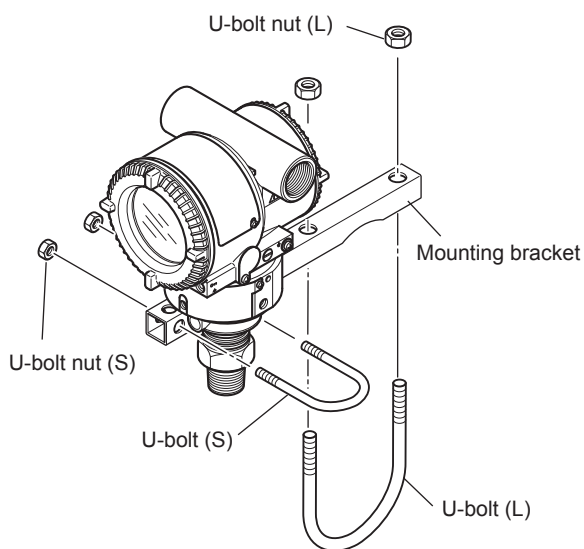
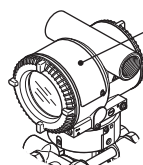
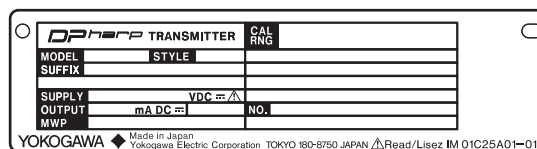


Figure 2.1 Transmitter Mounting Hardware

F0201.ai

2.1 Model and Specifications Check

The model name and specifications are written on the name plate attached to the case.



F0202.ai

Figure 2.2 Name Plate

2.2 Unpacking

Keep the transmitter in its original packaging to prevent it from being damaged during shipment. Do not unpack the transmitter until it reaches the installation site.

2.3 Storage

The following precautions must be observed when storing the instrument, especially for a long period.

- (a) Select a storage area which meets the following conditions:
 - It is not exposed to rain or subject to water seepage/leaks.
 - Vibration and shock are kept to a minimum.
 - It has an ambient temperature and relative humidity within the following ranges.

Ambient temperature:

–40* to 85°C without integral indicator

–30* to 80°C with integral indicator

* –15°C when /HE is specified.

Relative humidity:

0% to 100% R.H.

Preferred temperature and humidity:

approx. 25°C and 65% R.H.

- (b) When storing the transmitter, repack it carefully in the packaging that it was originally shipped with.
- (c) If the transmitter has been used, thoroughly clean the chambers inside the cover flanges, so that there is no process fluid remaining inside. Before placing it in storage, also make sure that the pressure-detector is securely connected to the transmitter section.

2.4 Selecting the Installation Location

The transmitter is designed to withstand severe environmental conditions. However, to ensure that it will provide years of stable and accurate performance, take the following precautions when selecting the installation location.

- (a) **Ambient Temperature**
Avoid locations subject to wide temperature variations or a significant temperature gradient. If the location is exposed to radiant heat from plant equipment, provide adequate thermal insulation and/or ventilation.
- (b) **Ambient Atmosphere**
Do not install the transmitter in a corrosive atmosphere. If this cannot be avoided, there must be adequate ventilation as well as measures to prevent the leaking of rain water and the presence of standing water in the conduits.
- (c) **Shock and Vibration**
Although the transmitter is designed to be relatively resistant to shock and vibration, an installation site should be selected where this is kept to a minimum.
- (d) **Installation of Explosion-protected Transmitters**
An explosion-protected transmitter is certified for installation in a hazardous area containing specific gas types. See subsection 2.9 "Installation of an Explosion-Protected Transmitters."

2.5 Pressure Connection



WARNING

- Never loosen the process connector bolts when an instrument is installed in a process. The device is under pressure, and a loss of seal can result in a sudden and uncontrolled release of process fluid.
- When draining toxic process fluids that have condensed inside the pressure detector, take appropriate steps to prevent the contact of such fluids with the skin or eyes and the inhalation of vapors from these fluids.

The following precautions must be observed in order to safely operate the transmitter under pressure.

- (a) Make sure that all the process connector bolts are tightened firmly.
- (b) Make sure that there are no leaks in the impulse piping.
- (c) Never apply a pressure higher than the specified maximum working pressure.

2.6 Waterproofing of Cable Conduit Connections

Apply a non-hardening sealant to the threads to waterproof the transmitter cable conduit connections. (See figure 6.8, 6.9 and 6.10.)

2.7 Restrictions on Use of Radio Transceivers



IMPORTANT

Although the transmitter has been designed to resist high frequency electrical noise, if a radio transceiver is used near the transmitter or its external wiring, the transmitter may be affected by high frequency noise pickup. To test this, start out from a distance of several meters and slowly approach the transmitter with the transceiver while observing the measurement loop for noise effects. Thereafter use the transceiver outside the range where the noise effects were first observed.

2.8 Insulation Resistance and Dielectric Strength Test

Since the transmitter has undergone insulation resistance and dielectric strength tests at the factory before shipment, normally these tests are not required. If the need arises to conduct these tests, heed the following:

- (a) Do not perform such tests more frequently than is absolutely necessary. Even test voltages that do not cause visible damage to the insulation may degrade the insulation and reduce safety margins.
- (b) Never apply a voltage exceeding 500 V DC (100 V DC with an internal lightning protector) for the insulation resistance test, nor a voltage exceeding 500 V AC (100 V AC with an internal lightning protector) for the dielectric strength test.
- (c) Before conducting these tests, disconnect all signal lines from the transmitter terminals. The procedure for conducting these tests is as follows:

• Insulation Resistance Test

- 1) Short-circuit the + and – SUPPLY terminals in the terminal box. In case of 1 to 5 V output, short-circuit the SUPPLY+, SUPPLY – and A (VOUT +) terminals.
- 2) Turn OFF the insulation tester. Then connect the insulation tester plus (+) lead wire to the shorted SUPPLY terminals and the minus (–) leadwire to the grounding terminal.
- 3) Turn ON the insulation tester power and measure the insulation resistance. The voltage should be applied as briefly as possible to verify that the insulation resistance is at least 20 MΩ.
- 4) After completing the test and being very careful not to touch exposed conductors disconnect the insulation tester and connect a 100 kΩ resistor between the grounding terminal and the short-circuiting SUPPLY terminals. Leave this resistor connected at least one second to discharge any static potential. Do not touch the terminals while it is discharging.

• Dielectric Strength Test

- 1) Short-circuit the + and – SUPPLY terminals in the terminal box. In case of 1 to 5 V output, short-circuit the SUPPLY+, SUPPLY – and A (VOUT +) terminals.
- 2) Turn OFF the dielectric strength tester. Then connect the tester between the shorted SUPPLY terminals and the grounding terminal. Be sure to connect the grounding lead of the dielectric strength tester to the ground terminal.
- 3) Set the current limit on the dielectric strength tester to 25 mA, then turn ON the power and gradually increase the test voltage from '0' to the specified voltage.
- 4) When the specified voltage is reached, hold it for one minute.
- 5) After completing this test, slowly decrease the voltage to avoid any voltage surges.

2.9 Installation of an Explosion-Protected Instrument



NOTE

For FOUNDATION Fieldbus explosion protected type, please refer to IM 01C22T02-01E.
For PROFIBUS PA explosion protected type, please refer to IM 01C25T04-01EN.

If a customer makes a repair or modification to an intrinsically safe or explosionproof instrument and the instrument is not restored to its original condition, its intrinsically safe or explosionproof construction may be compromised and the instrument may be hazardous to operate. Please contact Yokogawa before making any repair or modification to an instrument.



CAUTION

This instrument has been tested and certified as being intrinsically safe or explosionproof. Please note that severe restrictions apply to this instrument's construction, installation, external wiring, maintenance and repair. A failure to abide by these restrictions could make the instrument a hazard to operate.

**WARNING**

Maintaining the safety of explosionproof equipment requires great care during mounting, wiring, and piping. Safety requirements also place restrictions on maintenance and repair. Please read the following sections very carefully.

**WARNING**

The range setting switch must not be used in a hazardous area.

**IMPORTANT**

For combined approval types
Once a device of multiple approval type is installed, it should not be re-installed using any other approval types. Apply a permanent mark in the check box of the selected approval type on the certification label on the transmitter to distinguish it from unused approval types.

**IMPORTANT**

All the blind plugs which accompany the EJX/EJA-E transmitters upon shipment from the factory are certified by the applicable agency in combination with the transmitters. The plugs which are marked with the symbols “ \diamond Ex” on their surfaces are certified only in combination with the EJX/EJA-E series transmitters.

2.9.1 FM Approval**a. FM Intrinsically Safe/Nonincendive for HART/BRAIN Protocol Type**

Note 1. EJX/EJA-E Series pressure transmitters with optional code /FS1 are applicable for use in hazardous locations.

- Applicable Standard:
Class 3600:2011, Class 3610:2010,
Class 3611:2004, Class 3810:2005
ANSI/ISA-60079-0:2009,
ANSI/ISA-60079-11:2009
NEMA 250:1991
- Rating
Intrinsically Safe for
Class I, II, III Division 1,
Groups A, B, C, D, E, F, G T4
Class I Zone 0 AEx ia IIC T4
Nonincendive for
Class I, II, III Division 2
Groups A, B, C, D, F, G T4
Class I, Zone 2 Group IIC T4
- Ambient temperature: -60 to 60°C
- Enclosure: Type 4X

Note 2. Installation

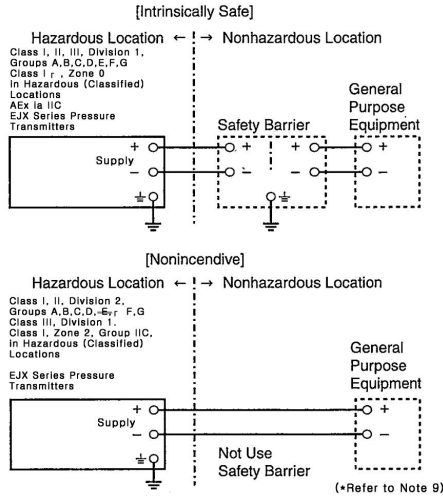
Installation should be in accordance with Control Drawing IFM022-A12.

Note 3. Maintenance and Repair

- The instrument modification or parts replacement by other than authorized representative of Yokogawa Electric Corporation is prohibited and will void Factory Mutual Intrinsically safe and Nonincendive Approval.

Model: EJX Series Date: October 22, 2003

11.0 Drawings
11.1 Installation Diagram



Rev. : December 12, 2003 K. Masuki Doc. No.: IFM022-A12 P.1
Drawing: K. Masuki
Approved: H. Akiyama

Yokogawa Electric Corporation

IFM022

Model: EJX Series Date: October 22, 2003

Entity Parameters

Intrinsically Safe Apparatus Parameters	Associated apparatus Parameters (FM approved barriers)
[Groups A, B, C, D, E, F and G]	
V _{max} = 30V	V _{oc} ≤ 30V
I _{max} = 200mA	I _{sc} ≤ 200mA
P _{max} = 1W	P _{max} ≤ 1W
C _i = 6nF	C _a > 6nF
L _i = 0 μH	L _a > 0 μH
Intrinsically Safe Apparatus Parameters	Associated apparatus Parameters (FM approved barriers)
[Groups C, D, E, F and G]	
V _{max} = 30V	V _{oc} ≤ 30V
I _{max} = 225mA	I _{sc} ≤ 225mA
P _{max} = 1W	P _{max} ≤ 1W
C _i = 6nF	C _a > 6nF
L _i = 0 μH	L _a > 0 μH

Entity Installation Requirements
V_{max} ≥ V_{oc} or U_o or V_t, I_{max} ≥ I_{sc} or I_o or I_t, P_{max} or P_o ≤ P_i, C_a or C_o ≥ C_i + C_{cabl}, L_a or L_o ≥ L_i + L_{cabl}

- Note: 1. Barrier must be installed an enclosure that meets the requirements of ANSI/ISA S82.01.
2. Control equipment connected to barrier must not use or generate more than 250 Vrms or Vdc.
3. Installation should be in accordance with ANSI/ISA RP12.6 "Installation of Intrinsically Safe Systems for Hazardous(Classified) Locations" and the National Electric Code(ANSI/NFPA 70).
4. The configuration of associated apparatus must be FMRC Approved.
5. Dust-tight conduit seal must be used when installed in a Class II,III, Group E,F and G environments.
6. Associated apparatus manufacturer's installation drawing must be followed when installing this apparatus.
7. The maximum power delivered from the barrier must not exceed 1W.
8. Note a warning label worded "SUBSTITUTION OF COMPONENTS MAY IMPAIR INTRINSIC SAFETY", and "INSTALL IN ACCORDANCE DOC.NO. IFM022-A12 P.1 AND 2".
9. If use ordinary wirings, the general purpose equipment must have nonincendive field wiring terminal approved by FM.

Rev. Δ: December 12, 2003 K. Masuki Doc. No.: IFM022-A12 P.2
Rev. Δ: December 15, 2003 K. Masuki Drawing: K. Masuki
Approved: H. Akiyama

Yokogawa Electric Corporation

IFM022

b. FM Explosionproof Type

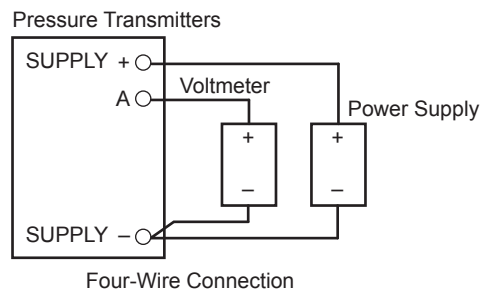
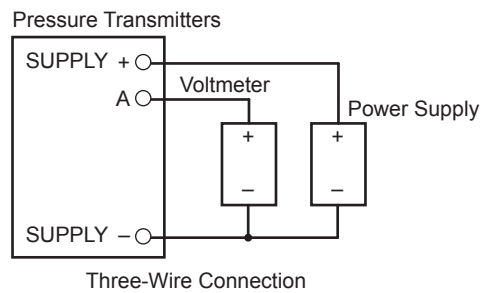
Caution for FM explosionproof type.

Note 1. EJX/EJA-E Series pressure transmitters with optional code /FF1 are applicable for use in hazardous locations. For output signal code P and S, see IM 01C25W05-01EN.

- Applicable Standard: FM3600, FM3615, FM3810, ANSI/NEMA 250
- Explosionproof for Class I, Division 1, Groups B, C and D.
- Dust-ignitionproof for Class II/III, Division 1, Groups E, F and G.
- Enclosure: Type 4X
- Temperature Class: T6
- Ambient Temperature: -40 to 60°C
- Supply Voltage: 42 V dc max. 32 V dc max. (FOUNDATION Fieldbus and PROFIBUS PA type) 9 to 28 V dc, 27 mW (Low Power type)
- Output signal: 4 to 20 mA 15 mA (FOUNDATION Fieldbus and PROFIBUS PA type) 1 to 5 V (Low Power type)

Note 2. Wiring

- All wiring shall comply with National Electrical Code ANSI/NFPA70 and Local Electrical Codes.
- When installed in Division 1, "FACTORY SEALED, CONDUIT SEAL NOT REQUIRED."
- Wiring connection for output signal code Q (Low Power type) shall follow the diagram below.



F0211.ai

Note 3. Operation

- Keep the “WARNING” nameplate attached to the transmitter.
WARNING: OPEN CIRCUIT BEFORE REMOVING COVER. FACTORY SEALED, CONDUIT SEAL NOT REQUIRED. INSTALL IN ACCORDANCE WITH THE USERS MANUAL IM 01C25.
- Take care not to generate mechanical sparking when accessing to the instrument and peripheral devices in a hazardous location.

Note 4. Maintenance and Repair

- The instrument modification or parts replacement by other than authorized representative of Yokogawa Electric Corporation is prohibited and will void Factory Mutual Explosionproof Approval.

c. FM Intrinsically Safe Type/FM Explosionproof Type

EJX/EJA-E Series pressure transmitters with optional code /FU1 or /V1U1 can be selected the type of protection (FM Intrinsically Safe or FM Explosionproof) for use in hazardous locations.

Note 1. For the installation of this transmitter, once a particular type of protection is selected, any other type of protection cannot be used. The installation must be in accordance with the description about the type of protection in this instruction manual.

Note 2. In order to avoid confusion, cross out unnecessary markings on the label other than the selected type of protection when the transmitter is installed.

2.9.2 CSA Certification

a. CSA Intrinsically Safe Type

Caution for CSA Intrinsically safe and nonincendive type. (Following contents refer to “DOC No. ICS013-A13”)

Note 1. EJX/EJA-E Series differential, gauge, and absolute pressure transmitters with optional code /CS1 are applicable for use in hazardous locations
Certificate: 1606623

[For CSA C22.2]

- Applicable Standard: C22.2 No.0, C22.2 No.0.4, C22.2 No.25, C22.2 No.94, C22.2 No.157, C22.2 No.213, C22.2 No.61010-1, C22.2 No.61010-2-030, C22.2 No.60079-0
- Intrinsically Safe for Class I, Division 1, Groups A, B, C & D, Class II, Division 1, Groups E, F & G, Class III, Division 1
- Nonincendive for Class I, Division 2, Groups A, B, C & D, Class II, Division 2, Groups F & G, Class III, Division 1
- Enclosure: Type 4X
- Temp. Code: T4
- Amb. Temp.: -50* to 60°C
* -15°C when /HE is specified.
- Process Temperature: 120°C max.

[For CSA E60079]

- Applicable Standard: CAN/CSA E60079-11, CAN/CSA E60079-15, IEC 60529:2001
- Ex ia IIC T4, Ex nL IIC T4
- Ambient Temperature: -50* to 60°C
* -15°C when /HE is specified.
- Max. Process Temp.: 120°C
- Enclosure: IP66/IP67

Note 2. Entity Parameters

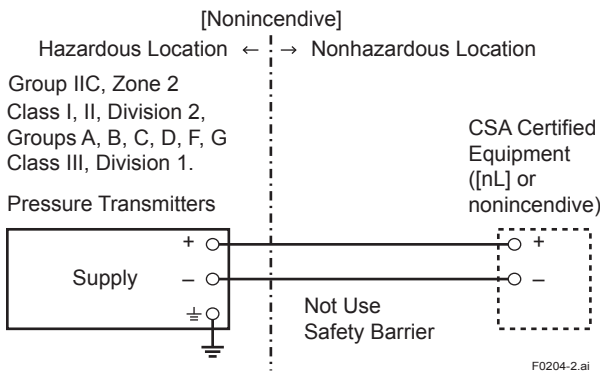
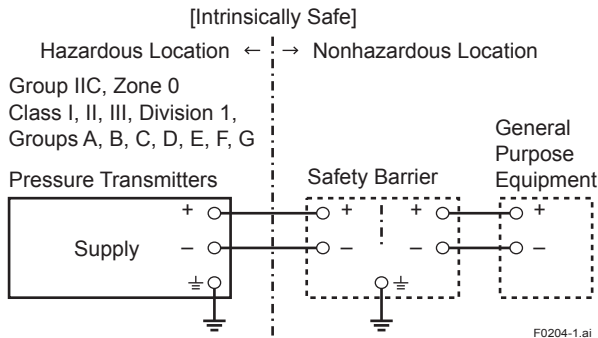
- Intrinsically safe ratings are as follows:
Maximum Input Voltage (Vmax/Ui) = 30 V
Maximum Input Current (Imax/Ii) = 200 mA
Maximum Input Power (Pmax/Pi) = 0.9 W
Maximum Internal Capacitance (Ci) = 10 nF
Maximum Internal Inductance (Li) = 0 µH
- Type “n” or Nonincendive ratings are as follows:
Maximum Input Voltage (Vmax/Ui) = 30 V
Maximum Internal Capacitance (Ci) = 10 nF
Maximum Internal Inductance (Li) = 0 µH
- Installation Requirements
Uo ≤ Ui, Io ≤ Ii, Po ≤ Pi,
Co ≥ Ci + Ccable, Lo ≥ Li + Lcable
Voc ≤ Vmax, Isc ≤ Imax,
Ca ≥ Ci + Ccable, La ≥ Li + Lcable
Uo, Io, Po, Co, Lo, Voc, Isc, Ca and La are parameters of barrier.

Note 3. Installation

- In any safety barrier used output current must be limited by a resistor ‘R’ such that Io=Uo/R or Isc=Voc/R.
- The safety barrier must be CSA certified.
- Input voltage of the safety barrier must be less than 250 Vrms/Vdc.

- Installation should be in accordance with Canadian Electrical Code Part I and Local Electrical Code.
- Dust-tight conduit seal must be used when installed in Class II and III environments.
- The instrument modification or parts replacement by other than authorized representative of Yokogawa Electric Corporation and Yokogawa Corporation of America is prohibited and will void Canadian Standards Intrinsically safe and nonincendive Certification.

- Temperature Code: T6...T4
- Ex d IIC T6...T4
- Enclosure: IP66/IP67
- Maximum Process Temperature: 120°C (T4), 100°C (T5), 85°C (T6)
- Ambient Temperature: -50* to 75°C (T4), -50* to 80°C (T5), -50* to 75°C (T6)
* -15°C when /HE is specified.
- Supply Voltage: 42 V dc max. 32 V dc max. (FOUNDATION Fieldbus and PROFIBUS PA type)
9 to 28 V dc, 27 mW (Low Power type)
- Output Signal: 4 to 20 mA dc
15 mA (FOUNDATION Fieldbus and PROFIBUS PA type)
1 to 5 V (Low Power type)



Note 2. Wiring

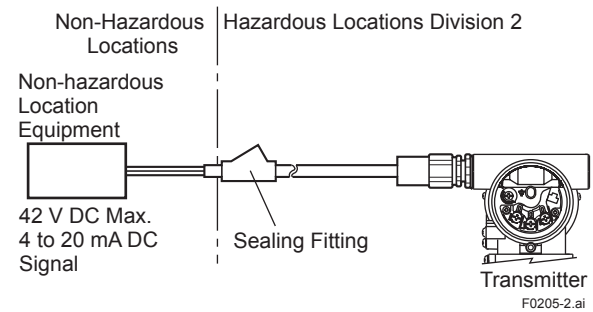
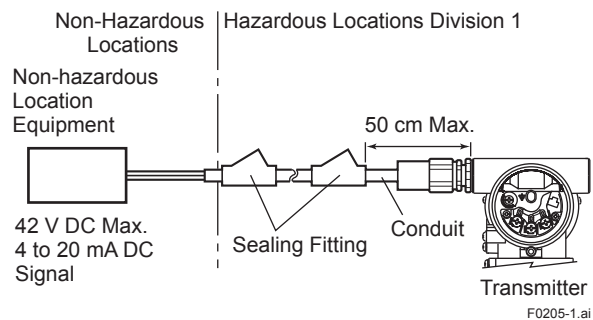
- All wiring shall comply with Canadian Electrical Code Part I and Local Electrical Codes.
- In hazardous location, wiring shall be in conduit as shown in the figure.
- WARNING: A SEAL SHALL BE INSTALLED WITHIN 50cm OF THE ENCLOSURE. UN SCELLEMENT DOIT ÊTRE INSTALLÉ À MOINS DE 50cm DU BOÎTIER.
- WARNING: WHEN INSTALLED IN CL.I, DIV 2, SEAL NOT REQUIRED. UNE FOIS INSTALLÉ DANS CL I, DIV 2, AUCUN JOINT N'EST REQUIS.

b. CSA Explosionproof Type

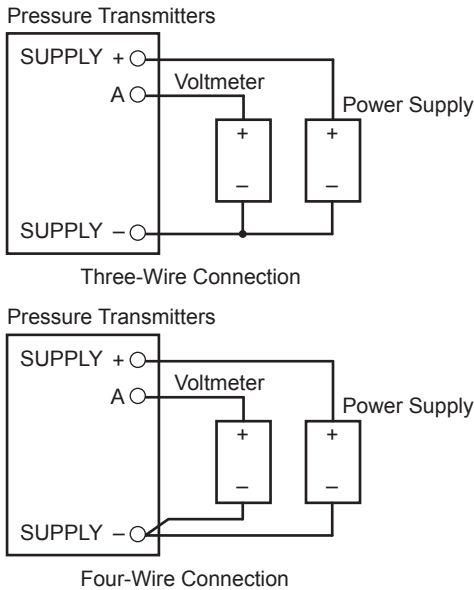
Caution for CSA explosionproof type.

Note 1. EJX/EJA-E Series pressure transmitters with optional code /CF1 are applicable for use in hazardous locations:

- Certificate: 2014354
- Applicable Standard: C22.2 No.0, C22.2 No.0.4, C22.2 No.0.5, C22.2 No.25, C22.2 No.30, C22.2 No.94, C22.2 No.61010-1, C22.2 No.60079-0, C22.2 No.61010-2-030, C22.2 No.60079-1
- Explosion-proof for Class I, Groups B, C and D.
- Dustignition-proof for Class II/III, Groups E, F and G.
- Enclosure: Type 4X



- All wiring shall comply with local installation requirements and local electrical code.
- In hazardous locations, the cable entry devices shall be of a certified flameproof type, suitable for the conditions of use and correctly installed.
- Unused apertures shall be closed with suitable flameproof certified blanking elements. (The plug attached is flameproof certified.)
- Wiring connection for output signal code Q (Low Power type) shall follow the diagram below.



Note 3. Operation

- **WARNING:**
AFTER DE-ENERGIZING, DELAY 5 MINUTES BEFORE OPENING.
APRÉS POWER-OFF, ATTENDRE 5 MINUTES AVANT D'OUVRIR.
- **WARNING:**
WHEN AMBIENT TEMPERATURE $\geq 65^{\circ}\text{C}$,
USE THE HEAT-RESISTING CABLES $\geq 90^{\circ}\text{C}$.
QUAND LA TEMPÉRATURE AMBIANTE $\geq 65^{\circ}\text{C}$, UTILISEZ DES CÂBLES
RÉSISTANTES Á LA CHALEUR $\geq 90^{\circ}\text{C}$.
- Take care not to generate mechanical sparking when accessing to the instrument and peripheral devices in a hazardous location.

Note 4. Maintenance and Repair

- The instrument modification or parts replacement by other than authorized representative of Yokogawa Electric Corporation and Yokogawa Corporation of America is prohibited and will void Canadian Standards Explosionproof Certification.

c CSA Intrinsically Safe Type/CSA Explosionproof Type

EJX/EJA-E Series pressure transmitters with optional code /CU1 or /V1U1 can be selected the type of protection (CSA Intrinsically Safe or CSA Explosionproof) for use in hazardous locations.

Note 1. For the installation of this transmitter, once a particular type of protection is selected, any other type of protection cannot be used. The installation must be in accordance with the description about the type of protection in this instruction manual.

Note 2. In order to avoid confusion, cross out unnecessary markings on the label other than the selected type of protection when the transmitter is installed.

2.9.3 ATEX Certification

(1) Technical Data

a. ATEX Intrinsically Safe Ex ia

Caution for ATEX Intrinsically safe type.

Note 1. EJX/EJA-E Series pressure transmitters with optional code /KS21 for use in hazardous locations:

- No. DEKRA 11ATEX0228 X
- Applicable Standard:
EN 60079-0:2012+A11:2013
EN 60079-11:2012
- Type of Protection and Marking code:
Ex ia IIC T4 Ga
Ex ia IIIC T85 °C T100 °C T120 °C Db
- Group: II
- Category: 1G, 2D
- Ambient Temperature for EPL Ga:
-50 to 60°C
- Ambient Temperature for EPL Db:
-30* to 60°C
* -15°C when /HE is specified.

- Process Temperature (Tp.): 120°C max.
- Maximum Surface Temperature for EPL Db:
T85°C (Tp.: 80°C)
T100°C (Tp.: 100°C)
T120°C (Tp.: 120°C)
- Enclosure: IP66 / IP67
To satisfy IP66 or IP67, apply waterproof glands to the electrical connection port.

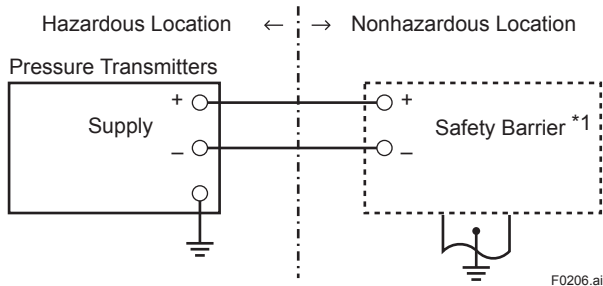
Note 2 Electrical Data

- In type of explosion protection intrinsic safety Ex ia IIC or Ex ia IIIC, only for connection to a certified intrinsically safe circuit with following maximum values:
Ui = 30 V
Ii = 200 mA
Pi = 0.9 W
(Linear Source)
Maximum internal capacitance; Ci = 27.6 nF
Maximum internal inductance; Li = 0 μH

Note 3. Installation

- Refer to the control drawing. All wiring shall comply with local installation requirements.

[Control Drawing]



*1: Any safety barriers must be a linear power source whose output current is resistively limited.

Note 4. Maintenance and Repair

- The instrument modification or parts replacement by other than authorized representative of Yokogawa Electric Corporation is prohibited and will void DEKRA Intrinsically safe Certification.

Note 5. Special Conditions for Safe Use



WARNING

- When the enclosure of the Pressure Transmitter is made of aluminum, if it is mounted in an area where the use of category 1G equipment is required, it must be installed such that, even in the event of rare incidents, ignition sources due to impact and friction sparks are excluded.
- Electrostatic charges on the coated parts of Pressure Transmitter shall be avoided.
- Electrostatic charge may cause an explosion hazard. Avoid any actions that cause the generation of electrostatic charge, such as rubbing with a dry cloth on coating face of the product.
- In case of the enclosure of the Pressure Transmitter with paint layers, if it is mounted in an area where the use of category 2D equipment is required, it shall be installed in such a way that the risk from electrostatic discharges and propagating brush discharges caused by rapid flow of dust is avoided.

b. ATEX Flameproof Type

Caution for ATEX flameproof type.

Note 1. EJX/EJA-E Series pressure transmitters with optional code /KF22 are applicable for use in hazardous locations. For output signal code P and S, see IM 01C25W05-01EN.

- No. KEMA 07ATEX0109 X
- Applicable Standard:
EN 60079-0:2012+A11:2013
EN 60079-1:2014, EN60079-31:2014
- Type of Protection and Marking Code:
Ex db IIC T6...T4 Gb, Ex tb IIIC T85°C Db
- Group: II
- Category: 2G, 2D
- Enclosure: IP66 / IP67
- Temperature Class for gas-proof:
T6, T5, and T4
- Ambient Temperature for gas-proof:
-50 to 75°C (T6), -50 to 80°C (T5), and
-50 to 75°C (T4)
- Process Temperature (Tp.) for gas-proof:
-50 to 85°C (T6), -50 to 100°C (T5), and
-50 to 120°C (T4)

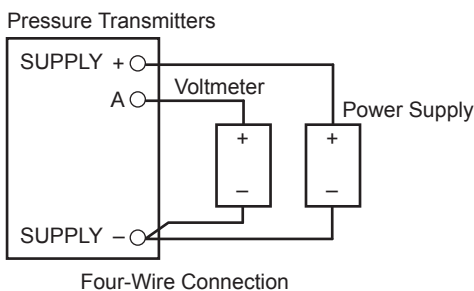
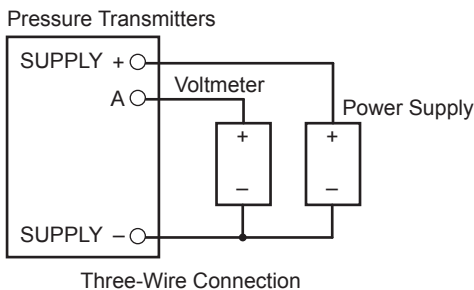
- Maximum Surface Temperature for dust-proof: T85°C (Tamb.: -30* to 75°C, Tp.: -30* to 85°C)
* -15°C when /HE is specified.

Note 2. Electrical Data

- Supply voltage: 42 V dc max.
32 V dc max. (FOUNDATION Fieldbus and PROFIBUS PA type)
9 to 28 V dc, 27 mW (Low Power type)
9 to 30 V dc, 250 mW (RS485 Modbus Communication Type)
- Output signal: 4 to 20 mA
15 mA (FOUNDATION Fieldbus and PROFIBUS PA type)
1 to 5 V (Low Power type)
RS485 Modbus (RS485 Modbus Communication Type)

Note 3. Installation

- All wiring shall comply with local installation requirement.
- Cable glands, adapters and/or blanking elements with a suitable IP rating shall be of Ex d IIC/Ex tb IIIC certified by ATEX and shall be installed so as to maintain the specific degree of protection (IP Code) of the equipment.
- Wiring connection for output signal code Q (Low Power type) shall follow the diagram below.



F0213.ai

Note 4. Operation

- Keep the "WARNING" label attached to the transmitter.
WARNING: AFTER DE-ENERGIZING, DELAY 5 MINUTES BEFORE OPENING. WHEN THE AMBIENT TEMP. ≥ 65°C, USE HEAT-RESISTING CABLE AND CABLE GLAND ≥ 90°C.
- Take care not to generate mechanical sparking when accessing to the instrument and peripheral devices in a hazardous location.

Note 5. Specific Conditions of Use



WARNING

- Electrostatic charge may cause an explosion hazard. Avoid any actions that cause the generation of electrostatic charge, such as rubbing with a dry cloth on coating face of the product.
- In the case where the enclosure of the Pressure Transmitter is made of aluminium, if it is mounted in an area where the use of category 2D apparatus is required, it shall be installed in such a way that the risk from electrostatic discharges and propagating brush discharges caused by rapid flow of dust is avoided.
- The instrument modification or parts replacement by other than an authorized Representative of Yokogawa Electric Corporation is prohibited and will void the certification.
- The fasteners used to fasten the transmitter enclosure onto the sensor capsule is special fastener, and the property class of it is A2-50(A4-50) or more.
- Maximum Surface Temperature for dust-proof: T85°C (Tamb.: -30* to 75°C, Tp.: -30* to 85°C)
* -15°C when /HE is specified.

c. ATEX Intrinsically Safe Type/ATEX Flameproof Type

EJX/EJA-E Series pressure transmitters with optional code /KU22 or /V1U1 can be selected the type of protection ATEX Flameproof, Intrinsically Safe. Ex ia, or Ex ic for use in hazardous area.

- Note 1. For the installation of this transmitter, once a particular type of protection is selected, any other type of protection cannot be used. The installation must be in accordance with the description about the type of protection in this user's manual.
- Note 2. For combined approval types Once a device of multiple approval type is installed, it should not be re-installed using any other approval types. Apply a permanent mark in the check box of the selected approval type on the certification label on the transmitter to distinguish it from unused approval types.

● **ATEX Intrinsically Safe Ex ic**

Caution for ATEX intrinsically safe Ex ic

- Applicable Standard:
EN 60079-0:2012+A11:2013
EN 60079-11:2012
- Type of Protection and Marking Code:
Ⓔ II 3G Ex ic IIC T4 Gc
- Ambient Temperature: -30* to +60°C
* -15°C when /HE is specified.
- Ambient Humidity:
0 to 100% (No condensation)
- Maximum Process Temperature: 120°C
- IP Code: IP66
- Ambient pollution degree: 2
- Overvoltage category: I

Note 1. Electrical Data

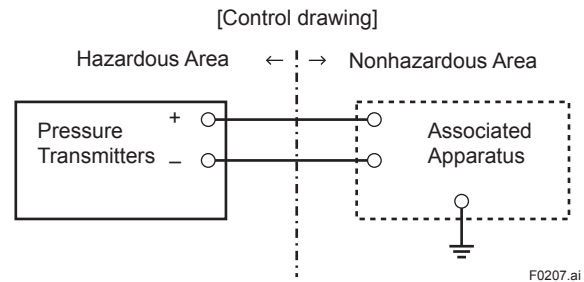
U_i = 30 V
C_i = 27.6 nF
L_i = 0 μH

Note 2. Installation

- All wiring shall comply with local installation requirements. (refer to the control drawing)
- Cable glands, adapters and/or blanking elements shall be of Ex "n", Ex "e" or Ex "d" and shall be installed so as to maintain the specified degree of protection (IP Code) of the transmitters.

Note 3. Maintenance and Repair

- The instrument modification or parts replacement by other than authorized representative of Yokogawa Electric Corporation is prohibited and will void ATEX intrinsically safe.



Note 4. Specific Conditions of Use



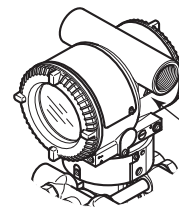
WARNING

- Electrostatic charge may cause an explosion hazard. Avoid any actions that cause the generation of electrostatic charge, such as rubbing with a dry cloth on coating face of the product.
- When the lightning protector option is specified, the apparatus is not capable of withstanding the 500V insulation test required by EN60079-11. This must be taken into account when installing the apparatus.

(2) **Electrical Connection**

A mark indicating the electrical connection type is stamped near the electrical connection port. These marks are as followed.

Screw Size	Marking
ISO M20 × 1.5 female	△ M
ANSI 1/2 NPT female	△ N or △ W



F0208.ai

(3) Installation

WARNING

- All wiring shall comply with local installation requirements and the local electrical code.
- There is no need for conduit seal in Division 1 and Division 2 hazardous locations because this product is sealed at the factory.

(4) Operation

WARNING

- OPEN CIRCUIT BEFORE REMOVING COVER. INSTALL IN ACCORDANCE WITH THIS USER'S MANUAL
- Take care not to generate mechanical sparking when access to the instrument and peripheral devices in a hazardous location.

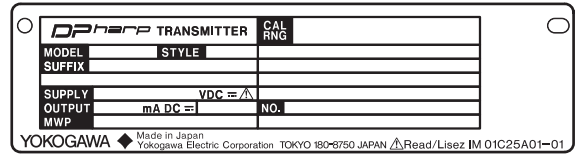
(5) Maintenance and Repair

WARNING

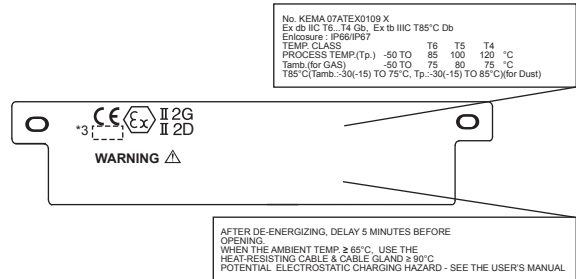
The instrument modification or parts replacement by other than an authorized Representative of Yokogawa Electric Corporation is prohibited and will void the certification.

(6) Name Plate

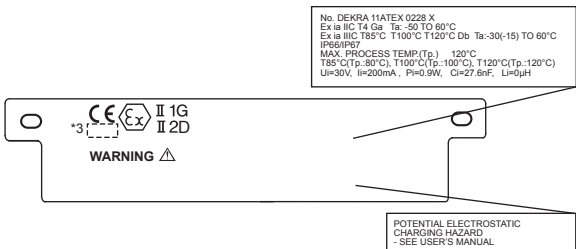
• Name plate



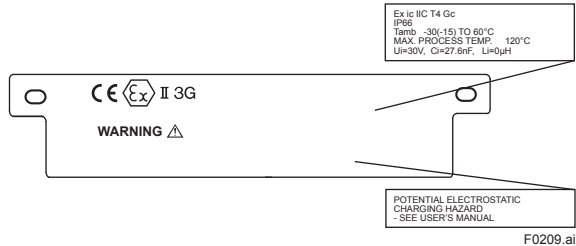
• Tag plate for flameproof type



• Tag plate for intrinsically safe type EX ia



• Tag plate for intrinsically safe Ex ic



- MODEL: Specified model code.
- STYLE: Style code.
- SUFFIX: Specified suffix code.
- SUPPLY: Supply voltage.
- OUTPUT: Output signal.
- MWP: Maximum working pressure.
- CAL RNG: Specified calibration range.
- NO.: Serial number and year of production*1.
- TOKYO 180-8750 JAPAN: The manufacturer name and the address*2.

*1: The first digit in the three numbers next to the nine letters of the serial number appearing after "NO." on the nameplate indicates the year of production. The following is an example of a serial number for a product that was produced in 2010:

91K819857 032

The year 2010

*2: "180-8750" is a zip code which represents the following address.

2-9-32 Nakacho, Musashino-shi, Tokyo Japan

*3: The identification number of Notified Body.

2.9.4 IECEx Certification

EJX Series pressure transmitters with optional code /SU21 can be selected the type of protection (IECEX Intrinsically Safe Ex ia, Ex ic or flameproof) for use in hazardous locations.

Note 1. For the installation of this transmitter, once a particular type of protection is selected, any other type of protection cannot be used. The installation must be in accordance with the description about the type of protection in this instruction manual.

Note 2. For combined approval types, once a device of multiple approval type is installed, it should not be re-installed using any other approval types. Apply a permanent mark in the check box of the selected approval type on the certification label on the transmitter to distinguish it from unused approval types.

a. IECEx Intrinsically Safe Ex ia

Caution for IECEx Intrinsically safe Ex ia.

Note 1. EJX/EJA-E series pressure transmitters with optional code /SU21 are applicable for use in hazardous locations

- No. IECEx DEK 11.0081X
- Applicable Standard: IEC 60079-0:2011, IEC 60079-11:2011
- Ex ia IIC T4 Ga
- Ambient Temperature: -50 to 60°C
- Max. Process Temp.: 120°C
- Enclosure: IP66/IP67
To satisfy IP66 or IP67, apply waterproof glands to the electrical connection port.

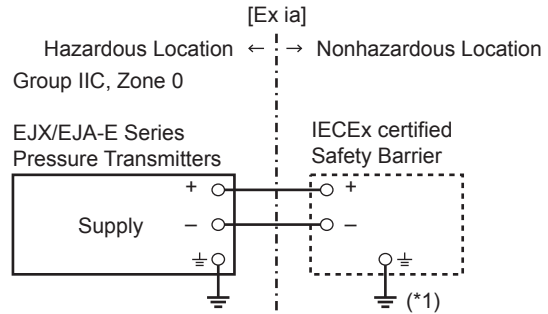
Note 2. Electrical Data

Maximum Input Voltage (Ui) = 30 V
 Maximum Input Current (Ii) = 200 mA
 Maximum Input Power (Pi) = 0.9 W
 (linear source)
 Maximum Internal Capacitance (Ci) = 27.6 nF
 Maximum Internal Inductance (Li) = 0 μH

When the lightning protector option is specified, the apparatus is not capable of withstanding the 500V insulation test required by IEC60079-11. This must be taken into account when installing the apparatus.

Note 3. Installation

- In any safety barrier used output current must be limited by a resistor 'R' such that $I_o = U_z/R$.
- The safety barrier must be IECEx certified.
- Input voltage of the safety barrier must be less than 250 Vrms/Vdc.
- The instrument modification or parts replacement by other than authorized representative of Yokogawa Electric Corporation is prohibited and will void IECEx certification.



*1: When using non isolation barrier, connect (*1) to IS barrier system.

F0215.ai

Note 4. Specific Condition of Use



WARNING

- Electrostatic charge may cause an explosion hazard. Avoid any actions that cause the generation of electrostatic charge, such as rubbing with a dry cloth on coating face of the product.
- When the enclosure of the pressure transmitter is made of aluminum, if it is mounted in an area where the use of EPL Ga equipment is required, it must be installed such, that, even in the event of rare incidents, ignition sources due to impact and friction sparks are excluded.
- Electrostatic charges on the coated parts of Pressure Transmitter shall be avoided.

b. IECEx Intrinsically Safe Ex ic

Caution for IECEx Intrinsically safe Ex ic.

Note 1. EJX/EJA-E series pressure transmitters with optional code /SU21 are applicable for use in hazardous locations

- No. IECEx DEK 13.0061X
- Applicable Standard: IEC 60079-0:2011, IEC 60079-11:2011

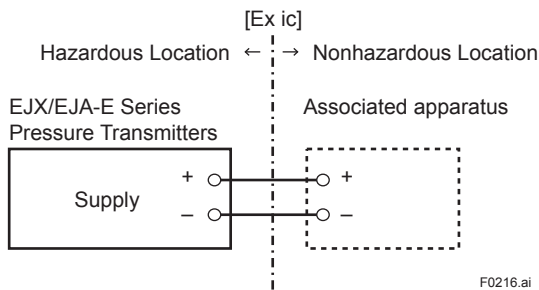
- Ex ic IIC T4 Gc
- Ambient Temperature: -30* to 60°C
* -15 °C when /HE is specified.
- Max. Process Temp.: 120°C
- IP Code: IP66
- Overvoltage Category: I

Note 2. Electrical Data

Maximum Input Voltage (Ui) = 30 V
 Maximum Internal Capacitance (Ci) = 27.6 nF
 Maximum Internal Inductance (Li) = 0 μH

Note 3. Installation

- The pressure transmitter is allowed to be installed in “nL” systems, on condition that the output parameters of “nL” source (associated energy-limited apparatus) are suitable to the above mentioned input parameters of the pressure transmitter and the cable parameters.
- Cable glands, adapters and/or blanking elements shall be of Ex “n”, Ex “e” or Ex “d” and shall be installed so as to maintain the specified degree of protection of the equipment.
- The instrument modification or parts replacement by other than authorized representative of Yokogawa Electric Corporation is prohibited and will void IECEx certification.



Note 4. Specific Condition of Use



WARNING

- Electrostatic charge may cause an explosion hazard. Avoid any actions that cause the generation of electrostatic charge, such as rubbing with a dry cloth on coating face of the product.
- The apparatus is not capable of dielectric strength tests required by IEC 60079-11. This must be taken into account when installing the apparatus.

c. IECEx Flameproof Type

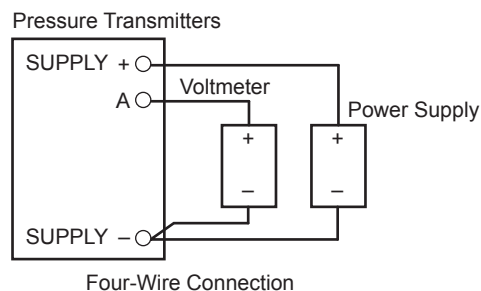
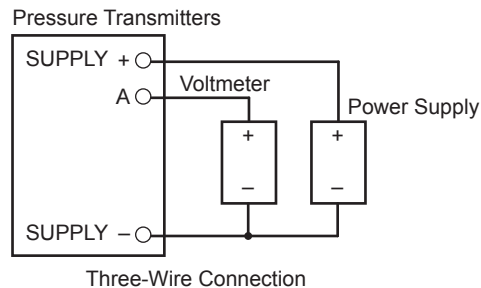
Caution for IECEx flameproof type.

Note 1. EJX/EJA-E Series pressure transmitters with optional code /SF2 or /SU21 are applicable for use in hazardous locations:

- No. IECEx CSA 07.0008
- Applicable Standard: IEC60079-0:2011, IEC60079-1:2007-4
- Flameproof for Zone 1, Ex d IIC T6...T4 Gb
- Enclosure: IP66/IP67
- Maximum Process Temperature: 120°C (T4), 100°C (T5), 85°C (T6)
- Ambient Temperature: -50 to 75°C (T4), -50 to 80°C (T5), -50 to 75°C (T6)
- Supply Voltage: 42 V dc max. 32 V dc max. (FOUNDATION Fieldbus and PROFIBUS PA type)
9 to 28 V dc, 27 mW (Low Power type)
- Output Signal: 4 to 20 mA dc
15 mA (FOUNDATION Fieldbus and PROFIBUS PA type)
1 to 5 V (Low Power type)

Note 2. Wiring

- In hazardous locations, the cable entry devices shall be of a certified flameproof type, suitable for the conditions of use and correctly installed.
- Unused apertures shall be closed with suitable flameproof certified blanking elements.
- Wiring connection for output signal code Q (Low Power type) shall follow the diagram below.



F0214.ai

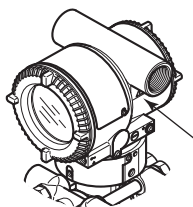
Note 3. Operation

- WARNING:
AFTER DE-ENERGIZING, DELAY 5 MINUTES BEFORE OPENING.
- WARNING:
WHEN THE AMBIENT TEMP. ≥65°C, USE HEAT-RESISTING CABLE AND CABLE GLAND ≥90°C.
- Take care not to generate mechanical sparking when accessing to the instrument and peripheral devices in a hazardous location.
- Electrostatic charge may cause an explosion hazard. Avoid any actions that cause the generation of electrostatic charge, such as rubbing with a dry cloth on coating face of the product.

Note 4. Maintenance and Repair

- The instrument modification or parts replacement by other than authorized representative of Yokogawa Electric Corporation is prohibited and will void IECEx Certification.
- Electrical Connection
A mark indicating the electrical connection type is stamped near the electrical connection port. These marks are as followed.

Screw Size	Marking
ISO M20 × 1.5 female	⚠ M
ANSI 1/2 NPT female	⚠ N or ⚠ W



Location of the mark

F0208.ai

2.10 EMC Conformity Standards

EN 61326-1 Class A, Table2
 EN 61326-2-3
 EN 61326-2-5 (for Fieldbus)



To meet EMC regulations, Yokogawa recommends that customers run signal wiring through metal conduits or use shielded twisted-pair cabling when installing EJX/EJA-E series transmitters in a plant. This equipment is a Class A product, and it is designed for use in the industrial environment. Please use this instrument in the industrial environment only.

2.11 Pressure Equipment Directive (PED)

(1) General

- EJX/EJA-E Series pressure transmitters are categorized as piping under the pressure accessories section of directive 2014/68/EU, which corresponds to Article 4, Paragraph 3 of PED, denoted as Sound Engineering Practice (SEP).
- EJ□510□-□D, EJ□530□-□D, EJX610A-□D, and EJX630A-□D can be used above 200 bar and therefore considered as a part of a pressure retaining vessel where category III, Module H applies. These models with option code /PE3 conform to that category.

(2) Technical Data

- Models without /PE3
Article 4, Paragraph 3 of PED, denoted as Sound Engineering Practice (SEP).
- Models with /PE3
Module: H
Type of Equipment: Pressure Accessory-Vessel
Type of fluid: Liquid and Gas
Group of fluid: 1 and 2

Model	Capsule code	PS*1 (bar)	V(L)	PS.V (bar.L)	Category*2
EJ□510□ EJX610A	A, B, C	100	0.1	10	Article 4, Paragraph 3 (SEP)
	D	700	0.1	70	
EJ□510□, EJX610A with code / PE3	D	700	0.1	70	III
EJ□530□, EJX630A	A, B, C	100	0.1	10	Article 4, Paragraph 3 (SEP)
	D	700	0.1	70	
EJ□530□, EJX630A with code / PE3	D	700	0.1	70	III

*1: PS is maximum pressure for vessel itself based on Pressure Equipment Directive 2014/68/EU. Refer to General Specification for maximum working pressure of a transmitter.

*2: Referred to Table 1 covered by ANNEX II of EC Directive on Pressure Equipment Directive 2014/68/EU.

(3) Operation



CAUTION

- The temperature and pressure of fluid should be maintained at levels that are consistent with normal operating conditions.
- The ambient temperature should be maintained at a level that is consistent with normal operating conditions.
- Please take care to prevent water hammer and the like from inducing excessive pressures in pipes and valves. If phenomena are likely, install a safety valve or take some other appropriate measure to prevent pressure from exceeding PS.
- Take appropriate measures at the device or system level to protect transmitters if they are to be operated near an external heat source.

2.12 EU RoHS Directive

Applicable standard: EN 50581

Applicable production sites are shown below. The condition of the RoHS compliant production sites are as follows:

Japan, USA, Germany, Bahrain, India

The production sites can be confirmed by the serial number shown in the frame of “NO.” in the name plate of the product.

Serial numbers (9 letters): **AA**nnnnnnnn

AA: Identification code of production site

Japan: Use “91” USA: Use “U1”

Germany: Use “D1” Bahrain: Use “BH”

India: Use “Y1”

2.13 Safety Requirement Standards

Applicable standard: EN 61010-1, C22.2 No.61010-1

(1) Pollution Degree 2

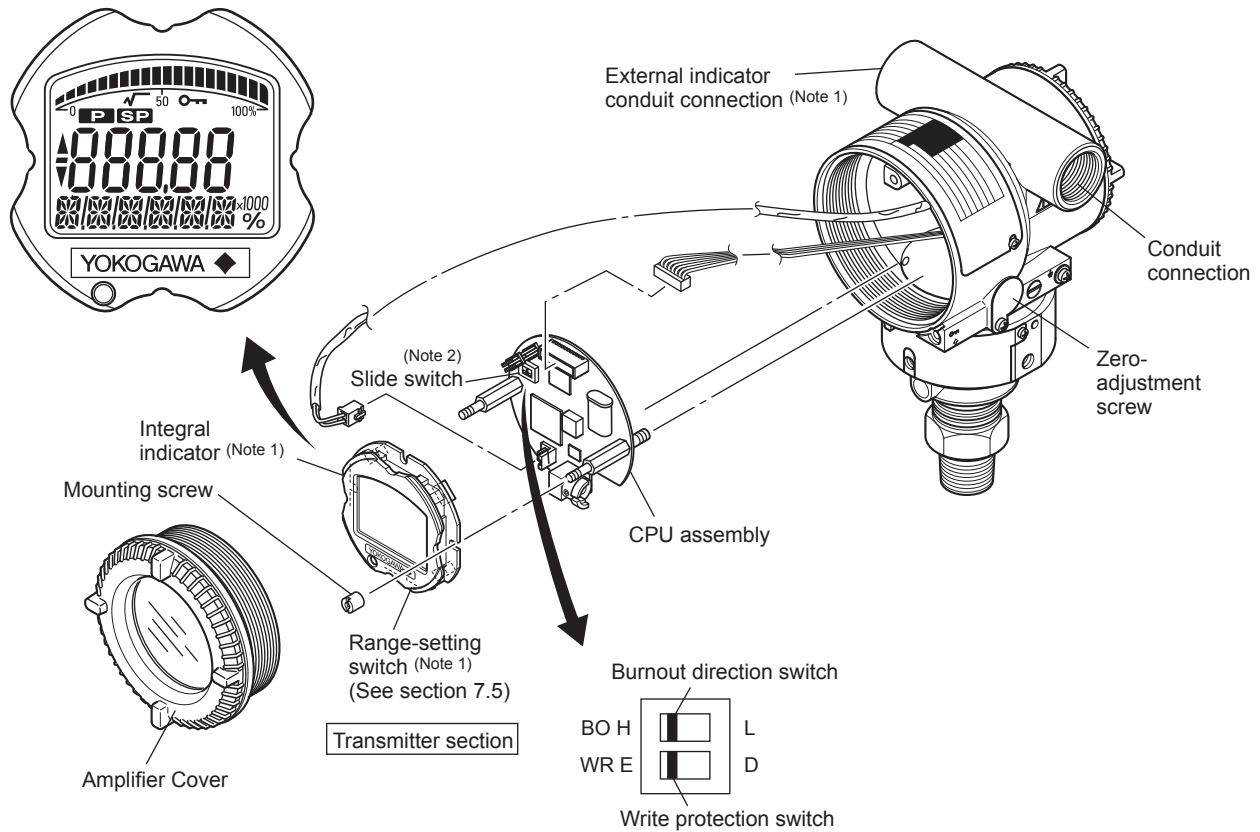
“Pollution degree” describes the degree to which a solid, liquid, or gas which deteriorates dielectric strength or surface resistivity is adhering. “2” applies to normal indoor atmosphere. Normally, only non-conductive pollution occurs. Occasionally, however, temporary conductivity caused by condensation must be expected.

(2) Installation Category I

“Overvoltage category (Installation category)” describes a number which defines a transient overvoltage condition. It implies the regulation for impulse withstand voltage. “1” applies to electrical equipment which is supplied from the circuit when appropriate transient overvoltage control means (interfaces) are provided.

(3) Indoor/Outdoor use

3. Component Names



Burnout direction switch (BO)			Hardware write protection switch (WR)		
Burnout Direction Switch Position			Write Protection Switch Position		
Burnout Direction	HIGH	LOW	Write Protection	NO (Write enabled)	YES (Write disabled)

F0301.ai

Note 1: See subsection 9.2, "Model and Suffix Codes," for details.

Note 2: Applicable for BRAIN/HART communication type. Set the switches as shown in the figure above to set the burn-out direction and write protection. The Burnout switch is set to the H side for delivery (unless option code /C1 or /C2 is specified in the order), and the hardware write protection switch is set to E side. The setting of the switches can be confirmed via communication. An external zero adjustment screw can only be disabled by communication. To disable the screw, set a parameter before activating the hardware write protect function. See each communication manual.

Figure 3.1 Component Names

Table 3.1 Display Symbol

Display Symbol	Meaning of Display Symbol
▲	The output signal being zero-adjusted is increasing. Besides, this symbol lights when local parameter setting is in progress.
▼	The output signal being zero-adjusted is decreasing. Besides, this symbol lights when local parameter setting is in progress.
○	Write protect function is enabled.

F0302.ai

4. Installation

4.1 Precautions

Before installing the transmitter, read the cautionary notes in section 2.4, "Selecting the Installation Location." For additional information on the ambient conditions allowed at the installation location, refer to section 9.1 "Standard Specifications."



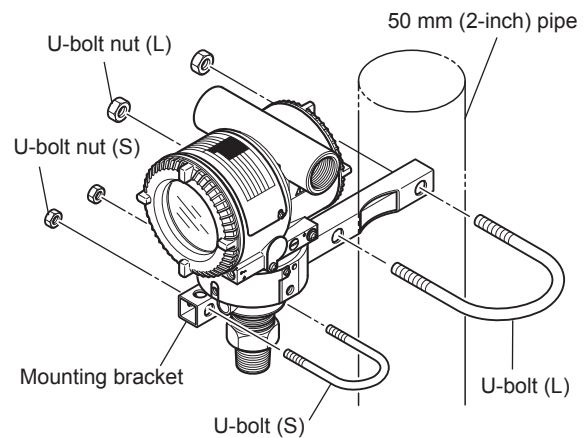
IMPORTANT

- When welding piping during construction, take care not to allow welding currents to flow through the transmitter.
- Do not step on this instrument after installation.
- For the EJ□530□ and EJX630A whose capsule code is A, B or C, the pipe of the atmospheric opening is located on the pressure detecting section. The opening must not face upward. See subsection 5.1.1.
- D capsule of EJ□530□ and EJX630A is of sealed gauge reference and the change in atmospheric pressure may affect the measurement.

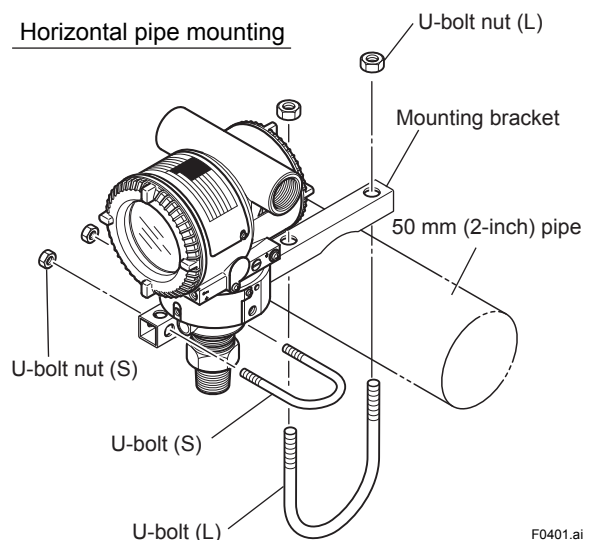
4.2 Mounting

- The impulse piping connection port of the transmitter is covered with a plastic cap to protect against dust. This cap must be removed before connecting the piping. (Be careful not to damage the threads when removing these caps. Do not insert a screw driver or other tool between the cap and the port threads to remove the cap.)
- The transmitter can be mounted on a nominal 50 mm (2-inch) pipe using the mounting bracket supplied, as shown in Figure 4.1.
- The user should prepare the mating gasket for the transmitters with Process connection code 8 and 9. See Figure 4.2.

Vertical pipe mounting

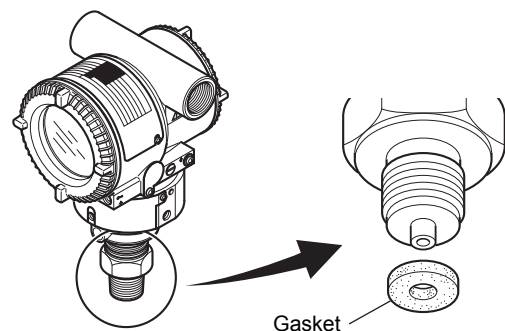


Horizontal pipe mounting



F0401.ai

Figure 4.1 Transmitter Mounting



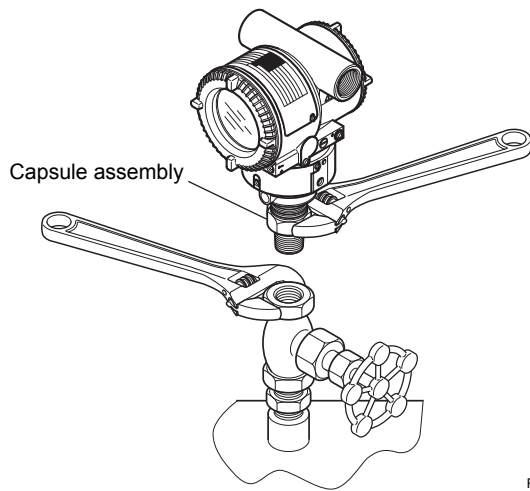
F0402.ai

Figure 4.2 Gasketing



IMPORTANT

Tighten the hexagonal nut part of the capsule assembly. See Figure 4.3.



F0403.ai

Figure 4.3 Tightening Transmitter

4.3 Rotating Transmitter Section

The transmitter section can be rotated approximately 360° and can be fixed at any angle within the above range. (The direction of the rotation is depending on the configuration of the instrument.)

Note that there is a stopper which prevents the transmitter section from being rotated more than 360°.

- 1) Remove the two setscrews that fasten the transmitter section and capsule assembly, using the Allen wrench.
- 2) Rotate the transmitter section slowly and stop it at designated position. For the EJ□530□ and EJX630A whose capsule code is A, B or C, the pipe of the atmospheric opening may interfere with the stopper and disturb further rotation. In that case, screw off the pipe first, rotate the housing, and then screw in the pipe by hand again.
- 3) Tighten the two setscrews to a torque of 1.5 N·m.



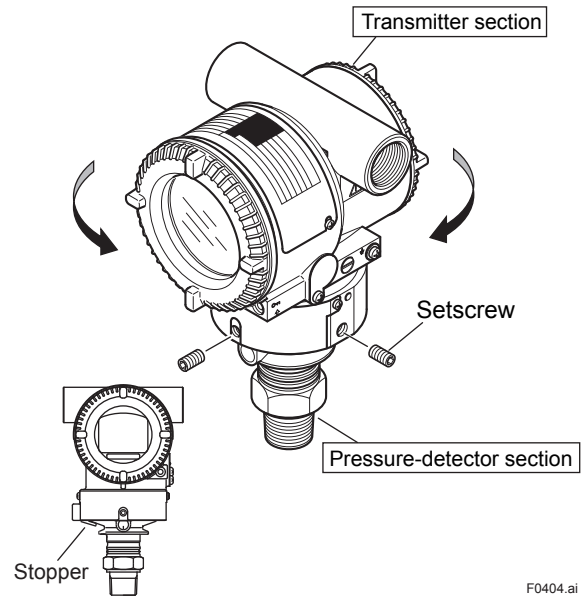
WARNING

In the case of the explosion-proof/flameproof type transmitter, do not rotate the transmitter part in the hazardous area while the transmitter is energized.



IMPORTANT

Do not rotate the transmitter section more than the above limit.



F0404.ai

Figure 4.4 Rotating Transmitter Section

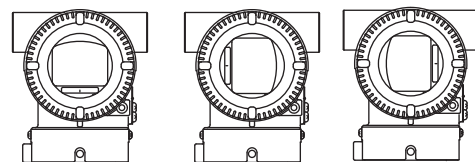
4.4 Changing the Direction of Integral Indicator



IMPORTANT

Always turn OFF power, release pressure and remove a transmitter to non-hazardous area before disassembling and reassembling an indicator.

An integral indicator can be installed in the following three directions. Follow the instructions in section 8.4 for removing and attaching the integral indicator.



F0405.ai

Figure 4.5 Integral Indicator Direction

5. Installing Impulse Piping

5.1 Impulse Piping Installation Precautions

The impulse piping that connects the process outputs to the transmitter must convey the process pressure accurately. If, for example, gas collects in a liquid-filled impulse line, or the drain for a gas-filled impulse line becomes plugged, it will not convey the pressure accurately. Since this will cause errors in the measurement output, select the proper piping method for the process fluid (gas, liquid, or steam). Pay careful attention to the following points when routing the impulse piping and connecting the impulse piping to a transmitter.

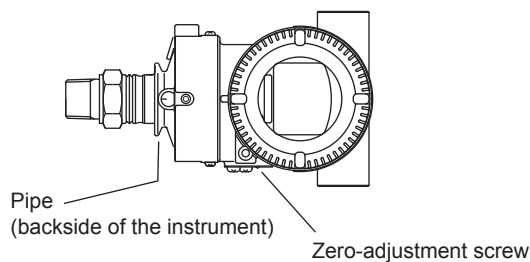
5.1.1 Connecting Impulse Piping to a Transmitter



IMPORTANT

The transmitter can be installed in horizontal impulse piping configuration, tilting the transmitter's position up to 90°. When tilting, observe that the pipe (for Model EJ□530□ and EJX630A with measurement span code A, B, and C) is positioned horizontal downwards, or any place between them, as shown in Figure 5.1. The zero-adjustment screw must be positioned downwards for all the models.

The pipe (open to atmosphere) is positioned horizontal.



If the zero-adjustment screw is positioned other than downwards after installation, rotate the housing until it is positioned downwards.

F0501.ai

Figure 5.1 Horizontal Impulse Piping Connection

5.1.2 Routing the Impulse Piping

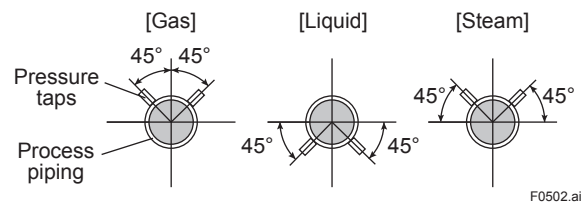
(1) Process Pressure Tap Angles

If condensate, gas, sediment or other extraneous material in the process piping gets into the impulse piping, pressure measurement errors may result. To prevent such problems, the process pressure taps must be angled as shown in figure 5.2 according to the kind of fluid being measured.



NOTE

- If the process fluid is a gas, the taps must be vertical or within 45° either side of vertical.
- If the process fluid is a liquid, the taps must be horizontal or below horizontal, but not more than 45° below horizontal.
- If the process fluid is steam or other condensing vapor, the taps must be horizontal or above horizontal, but not more than 45° above horizontal.



F0502.ai

Figure 5.2 Process Pressure Tap Angle (For Horizontal Piping)

(2) Position of Process Pressure Taps and Transmitter

If condensate (or gas) accumulates in the impulse piping, it should be removed periodically by opening the drain (or vent) plugs. However, this will generate a transient disturbance in the pressure measurement, and therefore it is necessary to position the taps and route the impulse piping so that any extraneous liquid or gas generated in the leadlines returns naturally to the process piping.

- If the process fluid is a gas, then as a rule the transmitter must be located higher than the process pressure taps.
- If the process fluid is a liquid or steam, then as a rule the transmitter must be located lower than the process pressure taps.

(3) Impulse Piping Slope

The impulse piping must be routed with only an upward or downward slope. Even for horizontal routing, the impulse piping should have a slope of at least 1/10 to prevent condensate (or gases) from accumulating in the pipes.

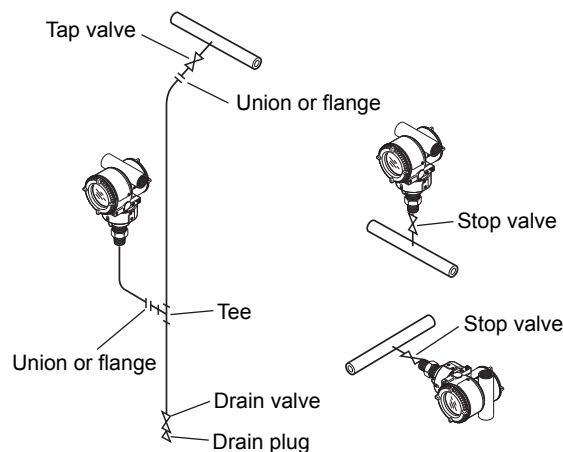
(4) Preventing Freezing

If there is any risk that the process fluid in the impulse piping or transmitter could freeze, use a steam jacket or heater to maintain the temperature of the fluid.



NOTE

After completing the connections, close the valves on the process pressure taps (main valves), the valves at the transmitter (stop valves), and the impulse piping drain valves, so that condensate, sediment, dust and other extraneous material cannot enter the impulse piping.



F0503.ai

Figure 5.3 Impulse Piping Connection Examples

5.2 Impulse Piping Connection Examples

Figure 5.3 shows examples of typical impulse piping connections. Before connecting the transmitter to the process, study the transmitter installation location, the process piping layout, and the characteristics of the process fluid (corrosiveness, toxicity, flammability, etc.), in order to make appropriate changes and additions to the connection configurations.

Note the following points when referring to these piping examples.

- If the impulse line is long, bracing or supports should be provided to prevent vibration.
- The impulse piping material used must be compatible with the process pressure, temperature, and other conditions.
- A variety of process pressure tap valves (main valves) are available according to the type of connection (flanged, screwed, welded), construction (globe, gate, or ball valve), temperature and pressure. Select the type of valve most appropriate for the application.

6. Wiring

6.1 Wiring Precautions



IMPORTANT

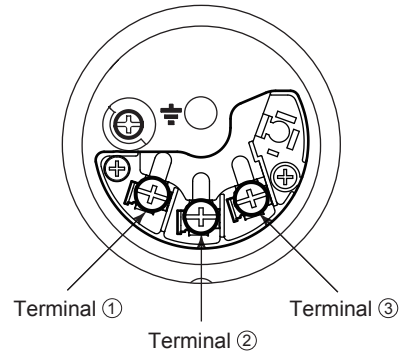
- Lay wiring as far as possible from electrical noise sources such as large capacity transformers, motors, and power supplies.
- Remove the electrical connection dust cap before wiring.
- All threaded parts must be treated with waterproofing sealant. (A non-hardening silicone group sealant is recommended.)
- To prevent noise pickup, do not pass signal and power cables through the same ducts.
- Explosion-protected instruments must be wired in accordance with specific requirements (and, in certain countries, legal regulations) in order to preserve the effectiveness of their explosion-protected features.
- The terminal box cover is locked by an Allen head bolt (a shrouding bolt) on ATEX flameproof type transmitters. When the shrouding bolt is driven clockwise using an Allen wrench, it goes in. The cover lock can then be released and the cover can be opened by hand. See subsection 8.4 “Disassembly and Reassembly” for details.
- Plug and seal an unused conduit connection.

6.2 Selecting the Wiring Materials

- Use stranded leadwires or cables which are the same as or better than 600 V grade PVC insulated wire (JIS C3307) or its equivalent.
- Use shielded wires in areas that are susceptible to electrical noise.
- In areas with higher or lower ambient temperatures, use appropriate wires or cables.
- In environment where oils, solvents, corrosive gases or liquids may be present, use wires or cables that are resistant to such substances.
- It is recommended that crimp-on solderless terminal lugs (for 4 mm screws) with insulating sleeves be used for leadwire ends.

6.3 Connections of External Wiring to Terminal Box

• Terminal Configuration



F0613.ai

• Terminal Wiring for 4 to 20 mA output, FOUNDATION Fieldbus type, and PROFIBUS PA type.

SUPPLY	+	①] Power supply and output terminals
	-	②	
CHECK	+	③] External indicator (ammeter) terminals ^{1,2}
or	-	②	
ALARM	+	③] Status contact output terminals ²
	-	②	
] (when /AL is specified)
] Ground terminal

*1: When using an external indicator or check meter, the internal resistance must be 10 Ω or less. A check meter or indicator cannot be connected when /AL option is specified.

*2: Not available for FOUNDATION Fieldbus and PROFIBUS PA communication types.

• Terminal Wiring for 1 to 5 V output

SUPPLY	+	①] Power supply terminals
	-	②	
VOUT	+	③] 1 to 5 V DC with HART communication terminals
	-	②	
] Ground terminal

F0614.ai

Figure 6.1 Terminal

6.3.1 Power Supply Wiring Connection



IMPORTANT

Connecting with the commercial AC power supply will damage the device. Be sure to use the DC power supply in the predetermined range.

Connect the power supply wiring to the SUPPLY + and – terminals. When /AL is specified, also refer to subsection 6.3.5.

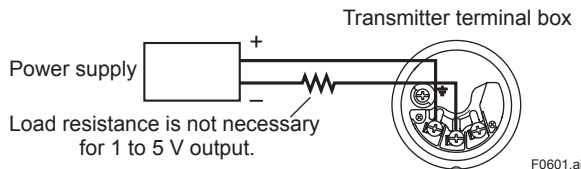


Figure 6.2 Power Supply Wiring Connection

6.3.2 External Indicator Connection

Available only for 4 to 20mA output type and when /AL is not specified.

Connect wiring for external indicators to the CHECK (+) and SUPPLY – terminals.

(Note) Use a external indicator whose internal resistance is 10 Ω or less.

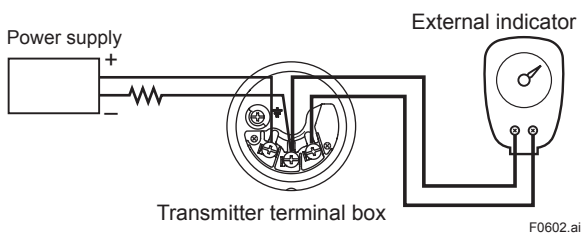


Figure 6.3 External Indicator Connection

6.3.3 Communicator Connection

- 4 to 20 mA output, BRAIN / HART



IMPORTANT

Analog output may change temporarily in connecting with BRAIN terminal due to an initial current flowed to it. To prevent communication signal affecting the upper system, it is recommended to install a low-pass filter (approximately 0.1s)

Connect the BT200 or HART Communicator to the SUPPLY + and – terminals. (Use hooks.)

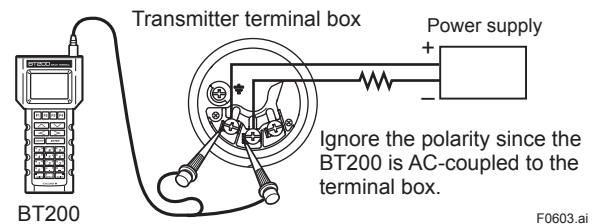


Figure 6.4 BT200 Connection

- 1 to 5 V output, HART

Connect the HART communicator or configuration tool to the SUPPLY - and VOUT (+) terminals. (Use hooks.)

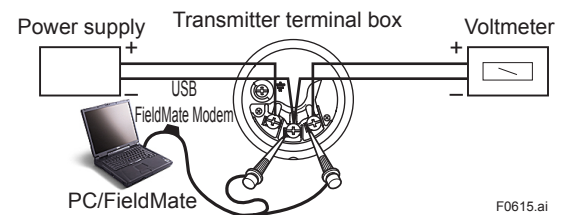


Figure 6.5 Four wire connection

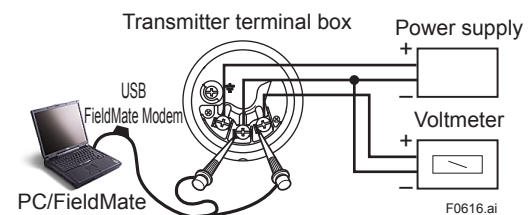


Figure 6.6 Three wire connection

6.3.4 Check Meter Connection

Available only for 4 to 20mA output type and when /AL is not specified.

Connect the check meter to the CHECK (+) and SUPPLY – terminals. (Use hooks.)

- A 4 to 20 mA DC output signal from the CHECK (+) and SUPPLY – terminals.

(Note) Use a check meter whose internal resistance is 10 Ω or less.

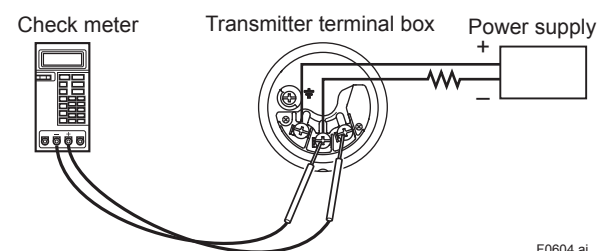


Figure 6.7 Check Meter Connection

6.3.5 Status Output Connection

When option code /AL is specified, connect the external wiring as shown in Figure 6.5.

To configure and activate the process alarm function and status output, it is necessary to set some parameters. Refer to each communication manual for procedures.

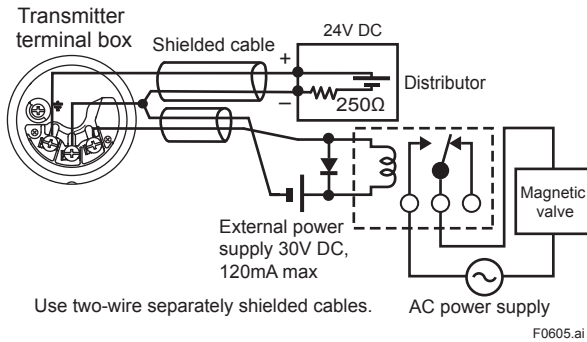


Figure 6.8 Status Output Connection

6.4 Wiring

6.4.1 Loop Configuration

Since the DPharp uses a two-wire transmission system for 4 to 20 mA output, signal wiring is also used as power wiring.

DC power is required for the transmitter loop. The transmitter and distributor are connected as shown below.

For details of the power supply voltage and load resistance, see section 6.6; for communications line requirements, see section 9.1.

For 1 to 5 V output, three or four wire system is used. See (3).

(1) 4 to 20 mA output, General-use Type and Flameproof Type

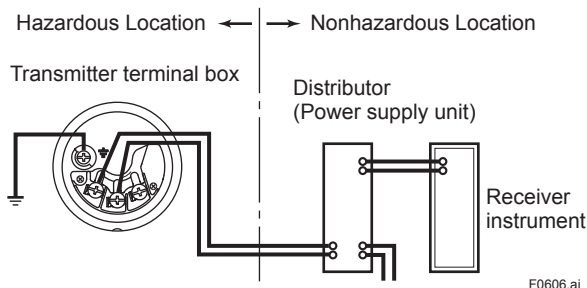


Figure 6.9 Connection between Transmitter and Distributor

(2) 4 to 20 mA output, Intrinsically Safe Type

With the intrinsically safe type, a safety barrier must be included in the loop.

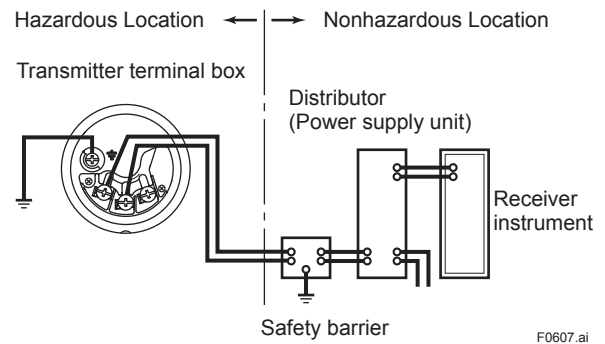


Figure 6.10 Connection between Transmitter and Distributor

(3) 1 to 5 V output

Either three or four wire system is used.

Power supply line and 1 to 5 V signal line commonly use the SUPPLY - terminal.



NOTE

With three wire connection, the cable length may affect the measurement accuracy of the output signal.

In either three-wire or four-wire connection, recommended wiring distance is 200 m or less, and the use of shielded cable is recommended.

■ Three wire connection

For three wire system, a negative wiring shall be commonly used for power supply and signal line.

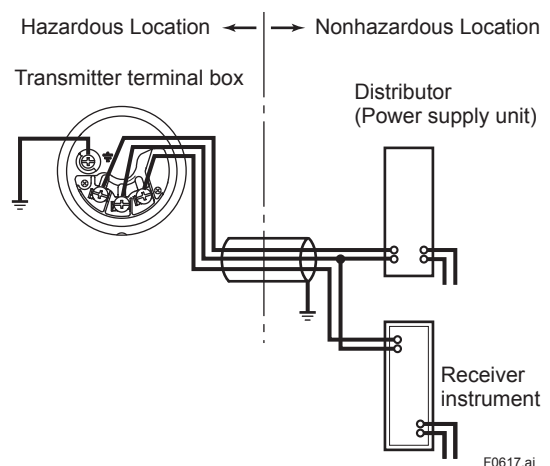


Figure 6.11 Connection between Transmitter, Distributer and Receiver

■ Four wire connection

Fasten the negative side wiring of both power supply and signal line to the SUPPLY - terminal.

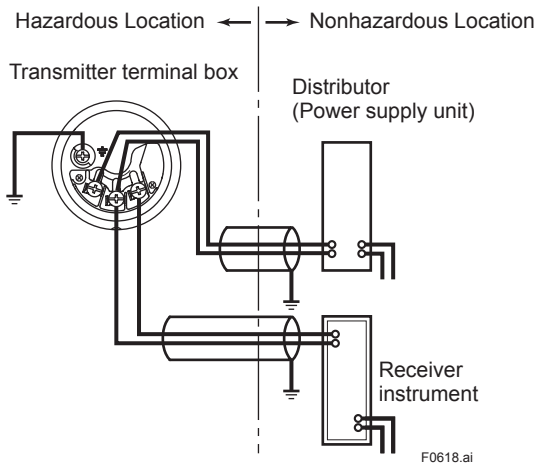


Figure 6.12 Connection between Transmitter, Distributer and Receiver

6.4.2 Wiring Installation

(1) General-use Type and Intrinsically Safe Type

With the cable wiring, use a metallic conduit or waterproof glands.

- Apply a non-hardening sealant to the terminal box connection port and to the threads on the flexible metal conduit for waterproofing.

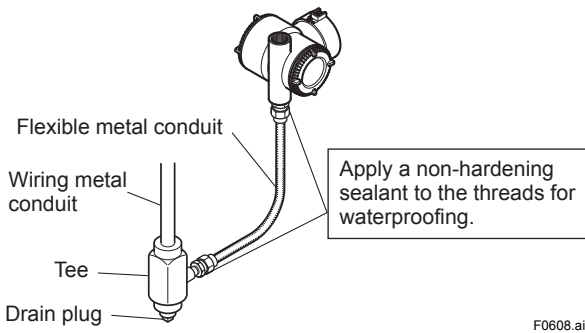


Figure 6.13 Typical Wiring Using Flexible Metal Conduit

(2) Flameproof Type

Wire cables through a flameproof packing adapter, or use a flameproof metal conduit.

- Wiring cable through flameproof packing adapter.
 - Apply a non-hardening sealant to the terminal box connection port and to the threads on the flameproof packing adapter for waterproofing.

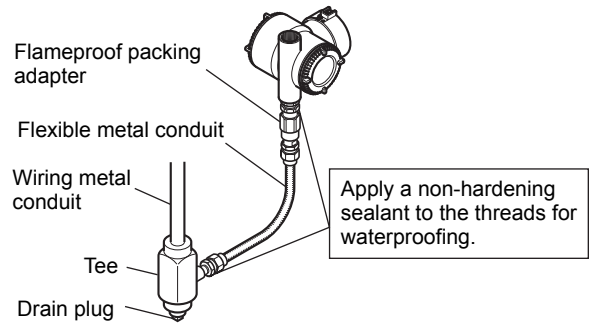


Figure 6.14 Typical Cable Wiring Using Flameproof Packing Adapter

■ Flameproof metal conduit wiring

- A seal fitting must be installed near the terminal box connection port for a sealed construction.
- Apply a non-hardening sealant to the threads of the terminal box connection port, flexible metal conduit and seal fitting for waterproofing.

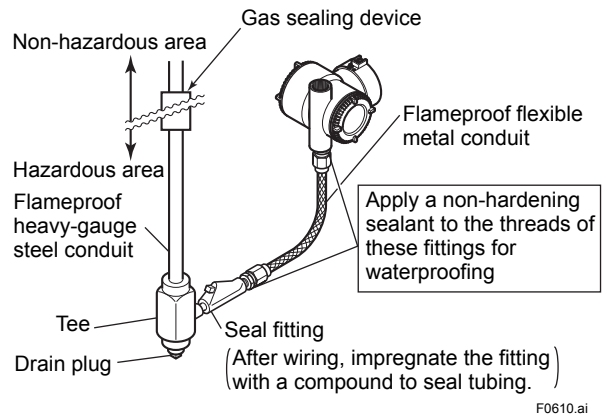


Figure 6.15 Typical Wiring Using Flameproof Metal Conduit

6.5 Grounding

Grounding is always required for the proper operation of transmitters. Follow the domestic electrical requirements as regulated in each country. For a transmitter with a built-in lightning protector, grounding should satisfy ground resistance of 10Ω or less.

Ground terminals are located on the inside and outside of the terminal box. Either of these terminals may be used.

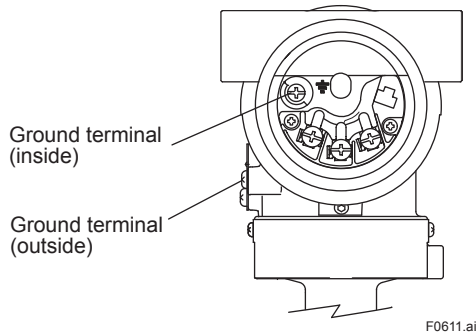


Figure 6.16 Ground Terminals

6.6 Power Supply Voltage and Load Resistance

For 4 to 20 mA output only.

When configuring the loop, make sure that the external load resistance is within the range in the figure below.

(Note) In case of an intrinsically safe transmitter, external load resistance includes safety barrier resistance.

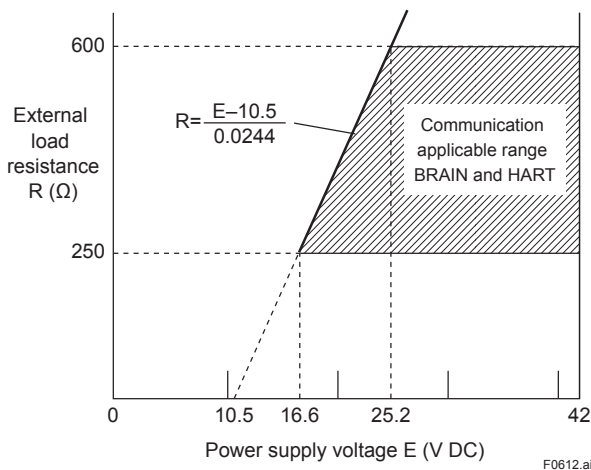


Figure 6.17 Relationship between Power Supply Voltage and External Load Resistance

7. Operation

7.1 Preparation for Starting Operation

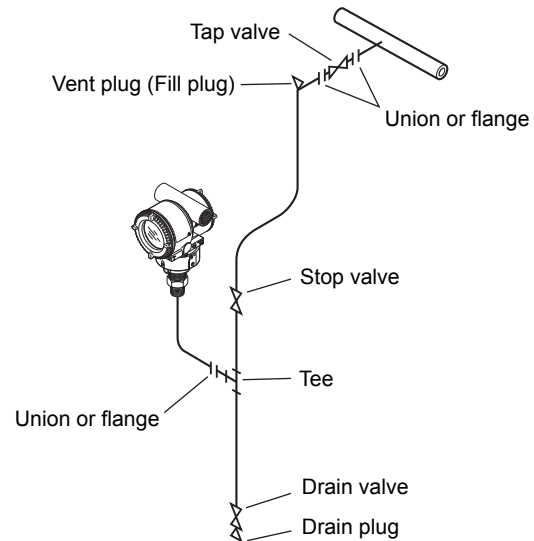
This section describes the operation procedure for the EJ□530□ as shown in figure 7.1.



NOTE

Check that the process pressure tap valves, drain valves, and stop valves are closed.

- (a) Follow the procedures below to introduce process pressure into the impulse piping and transmitter.
 - 1) Open the tap valve (main valve) to fill the impulse piping with process fluid.
 - 2) Gradually open the stop valve to introduce process fluid into the transmitter pressure-detector section.
 - 3) Confirm that there is no pressure leak in the impulse piping, transmitter, or other components.
- (b) Turn ON power and connect the communicator. Open the terminal box cover, and connect the communicator to the SUPPLY + and – terminals.
- (c) Using the communicator, confirm that the transmitter is operating properly. Check parameter values or change the setpoints as necessary. See IM 01C25T03-01E (BRAIN communication) or IM 01C25T01-06EN (HART communication) for communicator operation. If the transmitter is equipped with an integral indicator, its indication can be used to confirm that the transmitter is operating properly.



F0701.ai

Figure 7.1 Liquid Flow Measurement (Gauge Pressure Transmitters)

■ **Confirming that Transmitter is Operating Properly**

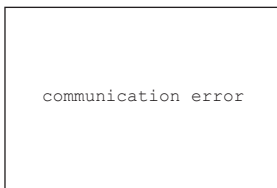
Using the BT200



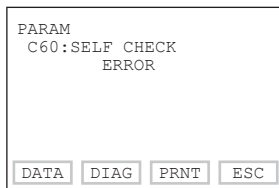
IMPORTANT

- Analog output may change temporarily in connecting with BRAIN terminal due to an initial current flowed to it. To prevent communication signal affecting the upper system, it is recommended to install a low-pass filter (approximately 0.1s).
- Communication signal is superimposed on analog output signal. It is recommended to set a low-pass filter (approximately 0.1s) to the receiver in order to reduce the output effect from communication signal. Before online-communication, confirm that communication signal does not give effect on the upper system.

- If the wiring system is faulty, 'communication error' appears on the display.
- If the transmitter is faulty, 'SELF CHECK ERROR' appears on the display.



Communication error (Faulty wiring)



Self-diagnostic error (Faulty transmitter)

F0702.ai

Figure 7.2 BT200 Display

Using the integral indicator

- If the wiring system is faulty, the display stays blank.
- If the transmitter is faulty, an error code is displayed.



Self-diagnostic error on the integral indicator (Faulty transmitter)

F0703.ai

Figure 7.3 Integral Indicator with Error Code



NOTE

If any of the above errors are indicated on the display of the integral indicator or the communicator, refer to subsection 8.5.3 for the corrective action.

■ **Verify and Change Transmitter Parameter Setting and Values**

The parameters related to the following items are set at factory as specified in order.

- Calibration range
- Integral indicator display
- Software damping (optional)

Other parameters like following are shipped with the default setting.

- Low-cut
- Process alarm setting
- Signal characterizer
- Write protection

To confirm or change the values, see IM 01C25T01-06EN or 01C25T03-01E.

7.2 Zero Point Adjustment

After completing preparations for operating the transmitter, adjust the zero point.

Zero point adjustment can be done by turning the transmitter's zero-adjustment screw or by using the communicator. This section describes the procedure for the zero-adjustment screw. For the communicator procedure, see the communication manual.



IMPORTANT

Do not turn off the power to the transmitter immediately after performing a zero point adjustment. Powering off within 30 seconds of performing this procedure will return the zero point to its previous setting.



NOTE

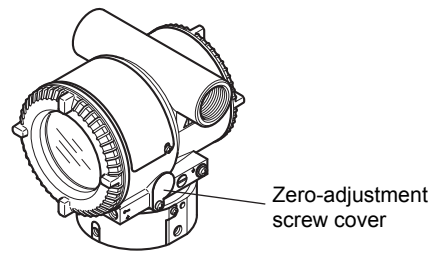
Before performing this adjustment, make sure that the external zero adjustment function has NOT been disabled by a parameter setting.



NOTE

- Because the output value may be affected by the transmitter's mounting position, zero adjustment should be executed after installing the transmitter. If you have to adjust zero point before installation, make the posture of the transmitter close to the actual installation state when adjusting zero.
- The factory adjusts the zero point of the absolute pressure transmitters (EJX510A, EJX610A, and EJA510E) with making the transmitter in the standing position before shipment.

To check the output signal, use a digital multimeter, calibrator, or communicator.



F0704.ai

Figure 7.4 External Zero-adjustment Screw

The zero-adjustment screw is located inside the cover.

(1) When you can obtain the Low Range Value from the actual measured value of 0% (0 kPa, atmospheric pressure);

For pressure measurement using gauge pressure transmitters, follow the steps below before performing zero point adjustment.

- 1) Close the tap valve (main valve).
- 2) Loosen the fill plug so that the pressure applied to the transmitter is only the head of the seal liquid.
- 3) Adjust the zero point at this status.
- 4) After the adjustment, close the fill plug and then gradually open the tap valve.

Use a slotted screwdriver to turn the zero-adjustment screw. Turn the screw clockwise to increase the output or counterclockwise to decrease the output. The zero point adjustment can be made with a resolution of 0.01% of the setting range. Since the degree of the zero adjustment varies with the screw turning speed, turn the screw slowly to make a fine adjustment and quickly to make a rough adjustment.

(2) When you cannot obtain the Low Range Value from the actual measured value of 0%;

Adjust the transmitter output to the actual measured value obtained by a digital manometer or a glass gauge.

[Example]

The measuring range of 50 to 250 kPa; the actual measured value of 130 kPa.

$$\text{Actual measured value} = \frac{130-50}{250-50} \times 100 = 40.0\% \\ (=10.4\text{mA})$$

Turn the screw to match the output signal to the actual measured value.

7.3 Starting Operation

After completing the zero point adjustment, follow the procedures below to start operation. Steps 1) and 2) are specific to the differential pressure transmitters.

- 1) Confirm the operating status. If the output signal exhibits wide fluctuations (hunting) due to periodic variation in the process pressure, use the communicator to dampen the transmitter output signal. Confirm the hunting using a receiving instrument or the integral indicator, and set the optimum damping time constant.
- 2) After confirming the operating status, perform the following.



IMPORTANT

- Remove the communicator from the terminal box, and confirm that none of the terminal screws are loose.
- Close the terminal box cover and the amplifier cover. Screw each cover in tightly until it will not turn further.
- There are two covers that must be locked on the ATEX Flameproof type transmitters. An Allen head bolt (shrouding bolt) under the edge of each cover is used to lock the cover. When the shrouding bolt is driven counterclockwise with an Allen wrench, the bolt rotates upward and locks the cover. (See section 8.4.) After locking the covers, confirm that they are secure and cannot be opened by hand.
Tighten the zero-adjustment cover mounting screw to secure the cover.
- Tighten the zero-adjustment cover mounting screw to secure the cover.

7.4 Shutting Down the Transmitter

Shut down the transmitter as follows. Steps 2) and 3) are specific to the differential pressure transmitters.

- 1) Turn off the power.
- 2) Close the stop valve.
- 3) Open the equalizing valve.
- 4) Close the high pressure stop valve.
- 5) Close the tap valves.



NOTE

- Whenever shutting down the transmitter for a long period, remove any process fluid that is in the transmitter pressure-detector section.
- The equalizing valve must be left OPEN.

7.5 Local Parameter Setting



WARNING

The local push button on the integral indicator must not be used in a hazardous area. When it is necessary to use the push button, operate it in a non-hazardous location.

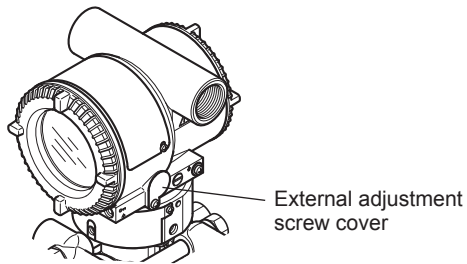


IMPORTANT

- Do not turn off the power to the transmitter immediately after performing parameter setting. Powering off within 30 seconds of performing this procedure will return the parameter to its previous setting.
- The parameter of Ext SW must be "Enabled" to perform this configuration. See the user's manual IM 01C25T (HART/BRAIN) for the setting procedure.
- The Local Parameter Setting function is available with HART or BRAIN communication type.
LCD update will be slower at low ambient temperature, and it is recommended to use LPS function at temperatures above -10 degrees C.

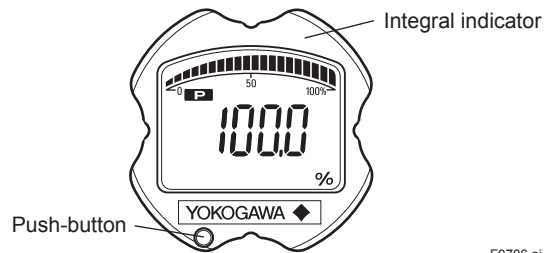
7.5.1 Local Parameter Setting (LPS) Overview

Parameter configuration by the external adjustment screw and push button (integral indicator code E) offers easy and quick setup for parameters of Tag number, Unit, LRV, URV, Damping, Output mode (linear/square root), Display out 1, and Re-range by applying actual pressure (LRV/URV). There is no effect on measurement signal (analog output or communication signal) when Local Parameter Setting is carried out.



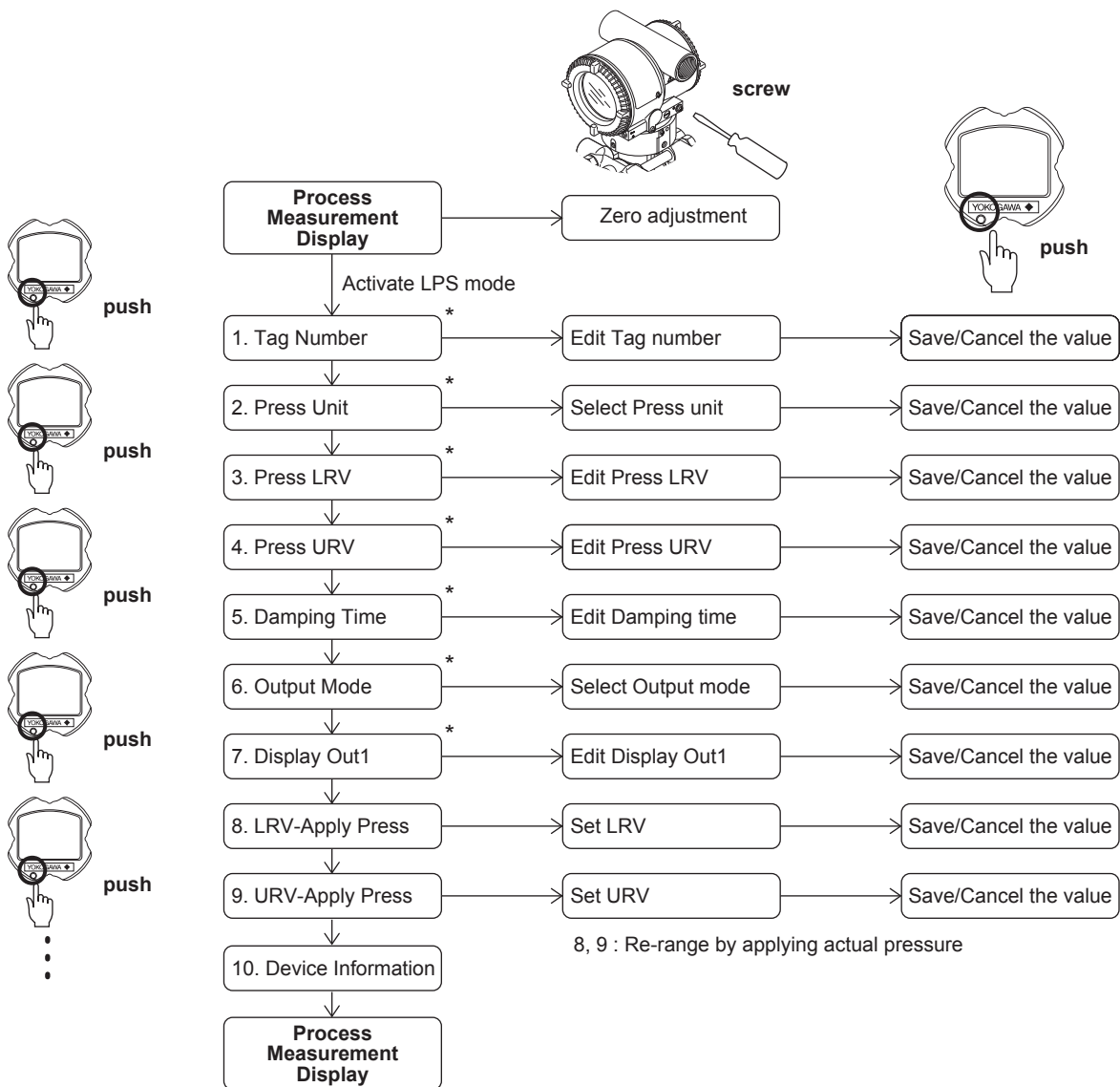
F0705.ai

Figure 7.5 External Adjustment Screw



F0706.ai

Figure 7.6 Range-Setting Switch (push button)



F0707.ai

*: Note that the above 1 to 7 parameter configurations are available with the software revision (SOFT REV)2.03 or later. Software revision can be checked via a field communicator (HART/BRAIN) or DTM. Please refer to IM 01C25T01 for HART parameter "Software rev" and IM 01C25T03 for BRAIN "SOFT REV".

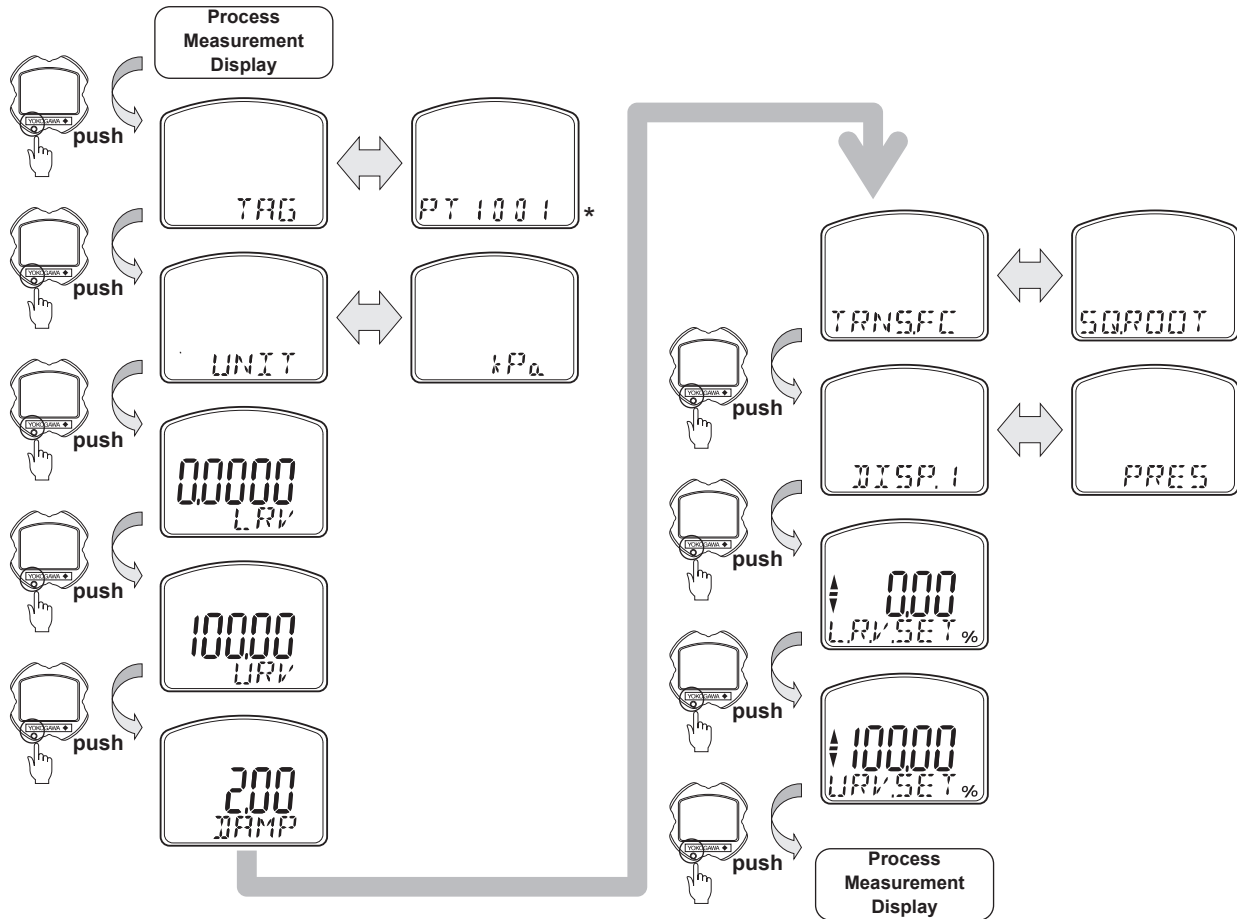
Figure 7.7

7.5.2 Activating Local Parameter Setting

Press the push button on the integral indicator to activate the Local Parameter Setting mode. The transmitter will exit automatically from the Local Parameter Setting mode if no operation is carried out for 10 minutes.

7.5.3 Parameter Setting Review

Current setting value for the below parameters are shown sequentially by each press of the push button. Tag number, Unit, LRV, URV, Damping, Output mode (linear/square root), Display out 1.



F0708.ai

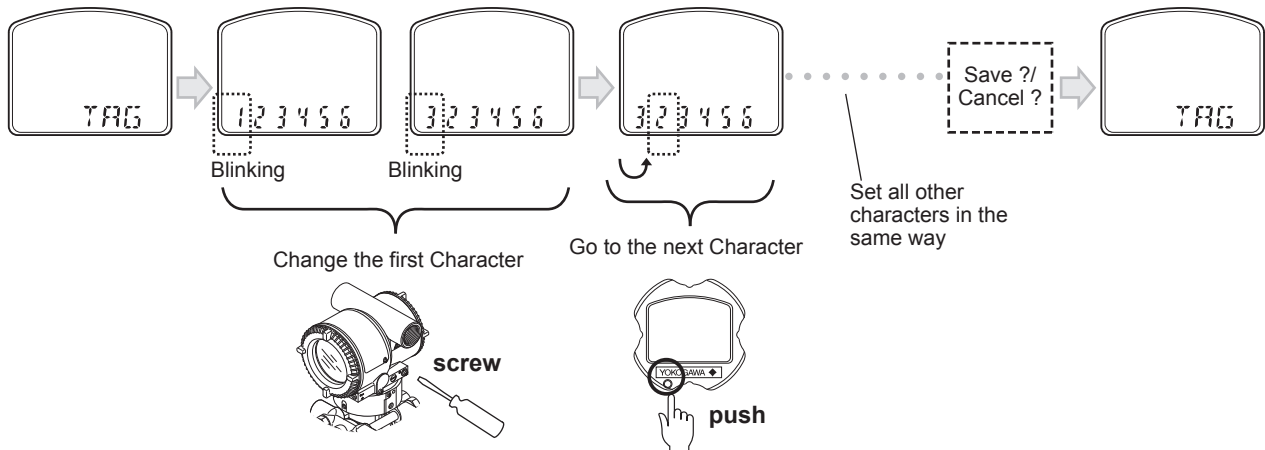
*: [Software revision: 2.03] Up to 6 characters are shown in the bottom line. To review after the 7th character, turn the external adjustment screw and press the push button six times or more.
 [Software revision: 3.01 or later] The display automatically scrolls to show all the characters.

To configure each parameter value, turn the external adjustment screw on each parameter screen after activating the Local Parameter Setting mode.

To cancel the Local Parameter Setting configuration, please refer to 7.5.11 Save or Cancel and 7.5.12 Abort Configuration.

7.5.4 Tag Number Configuration

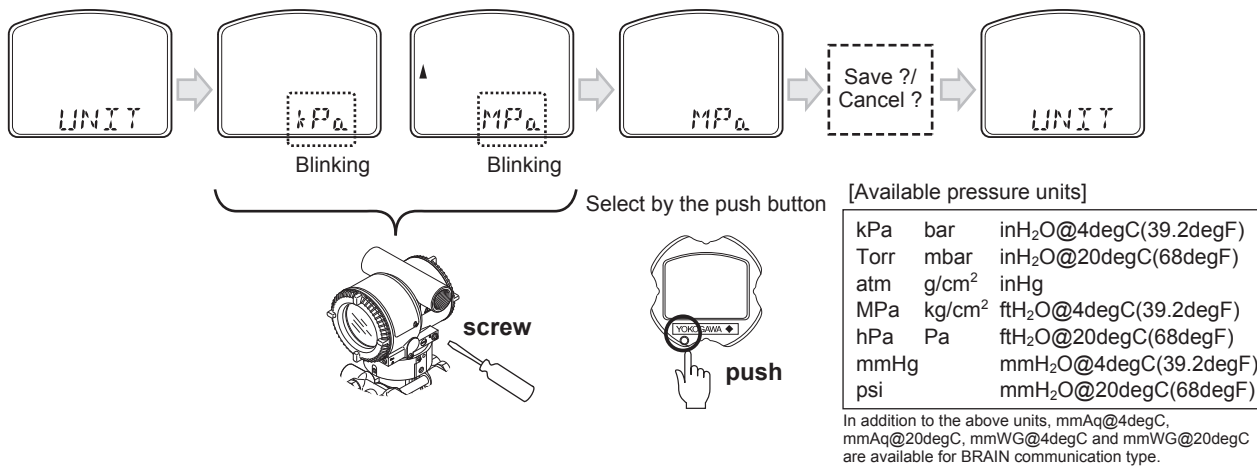
Tag Number is edited by turning the external adjustment screw. Up to 8 alphanumeric characters for HART or 16 alphanumeric characters for BRAIN can be set.



F0709.ai

7.5.5 Pressure Unit Configuration

Pressure unit for the below table can be changed as below. By turning the external adjustment screw, user can scroll between the various available pressure units.



F0710.ai

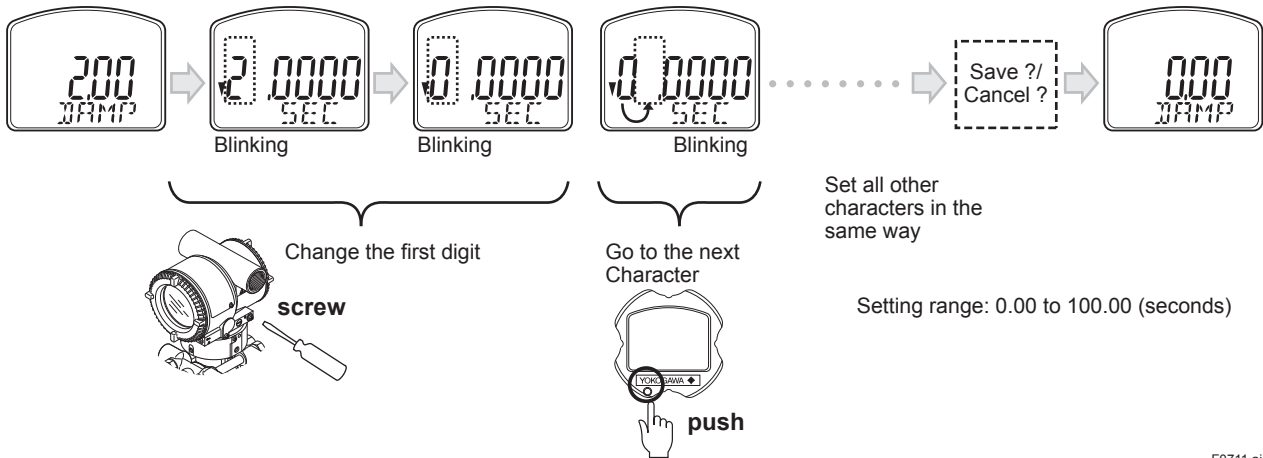
7.5.6 Pressure LRV/URV Configuration

Pressure LRV and URV can be set. The number for each digit is changed by turning the external adjustment screw and set by pressing the push button. Please refer to 7.5.7 Damping Time Constant Configuration for how to change the numerical value.

When the setting is out of the limit, an alarm will be generated.

7.5.7 Damping Time Constant Configuration

The damping time constant for the amplifier assembly can be set. Quick Response Parameter is automatically set to ON when the damping time constant is set to less than 0.5 seconds. Damping time constant is rounded off to two decimal places.



F0711.ai

7.5.8 Output Mode Configuration

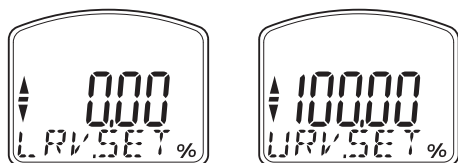
Pressure Output Mode (Linear or Sq root) can be selected by turning the external adjustment screw. Please refer to 7.5.5 Pressure Unit Configuration for how to select and set the enumerated value.

7.5.9 Display Out 1 Configuration

Display Out1 can be selected by turning the external adjustment screw. Please refer to 7.5.5 Pressure Unit Configuration for how to select and set the enumerated value.

7.5.10 Re-range by applying actual pressure (LRV/URV).

This feature allows the lower and upper range values to be setup with the actual input applied.



F0712.ai

Follow the procedure below to change the LRV and URV settings.

[Example]

Rerange LRV to 0 and URV to 3 MPa.

- 1) Connect the transmitter and apparatus as shown in Figure 8.1 and warm it up for at least five minutes.
- 2) Press the push-button. The integral indicator then displays “LRV.SET.”

- 3) Apply a pressure of 0 kPa (atmospheric pressure) to the transmitter. (Note 1)
- 4) Turn the external adjustment screw in the desired direction. The integral indicator displays the output signal in %. (Note 2)
- 5) Adjust the output signal to 0% (1 V DC) by rotating the external adjustment screw. Press the push button to save the value. Doing so completes the LRV setting. (Note 3)
- 6) Press the push-button. The integral indicator then displays “URV.SET.”
- 7) Apply a pressure of 3 MPa to the transmitter. (Note 1)
- 8) Turn the external adjustment screw in the desired direction. The integral indicator displays the output signal in %. (Note 2)
- 9) Adjust the output signal to 100% (5 V DC) by rotating the external adjustment screw. Press the button to save the value. Doing so completes the URV setting.
- 10) Press the push-button. The transmitter then switches back to the normal operation mode with the measurement range of 0 to 3 MPa.

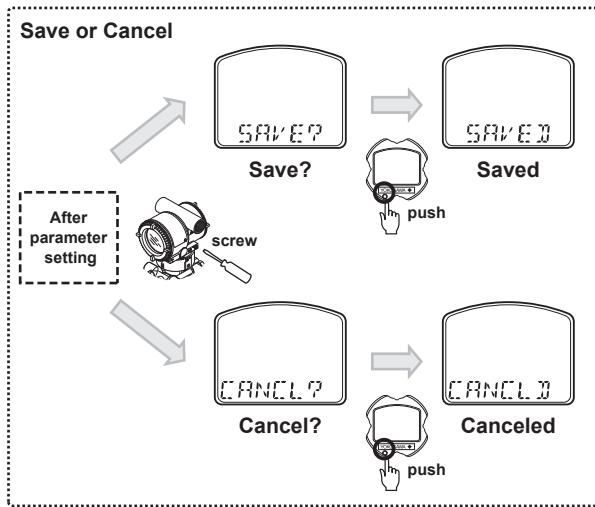
Note 1: Wait until the pressure inside the pressure-detector section has stabilized before proceeding to the next step.

Note 2: If the pressure applied to the transmitter exceeds the previous LRV (or URV), the integral indicator may display error number “AL.30” (In this case, the output signal percent and “AL.30” are displayed alternately every two seconds). Although “AL.30” is displayed, you may proceed to the next step. However, should any other error number be displayed, take the appropriate measure in reference to, “Errors and Countermeasures” in each communication manual.

Note 3: Changing the lower range value (LRV) also automatically changes the upper range value (URV), keeping the span constant. New URV=previous URV+(new LRV–previous LRV)

7.5.11 Save or Cancel

At the end of each parameter setting, select “Save” or “Cancel” by the external adjustment screw and press the push button to save or cancel the configuration.

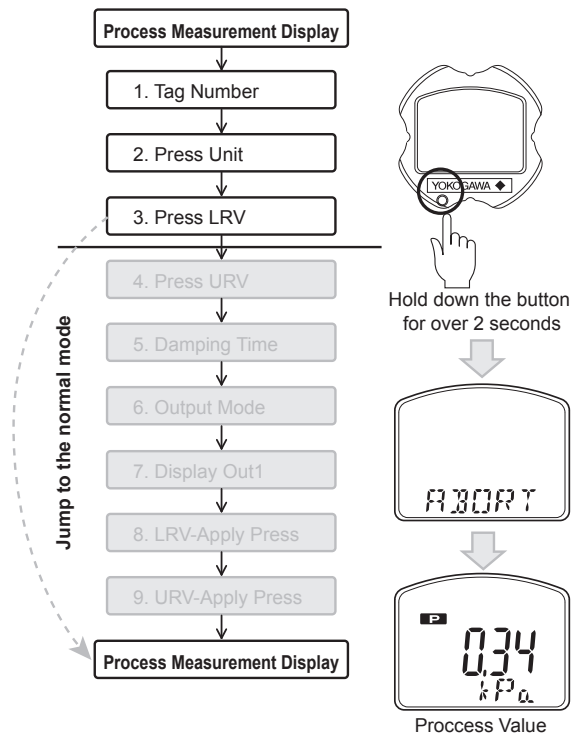


F0713.ai

7.5.12 Abort Configuration

7.5.12.1 Abort Configuration (Menu)

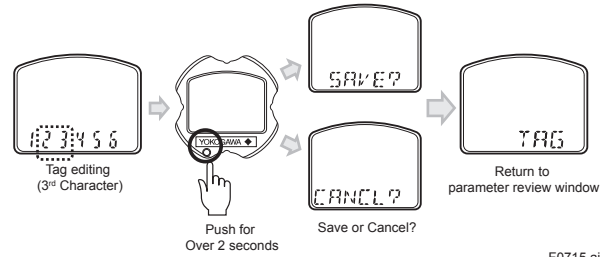
Hold down the push button for over 2 seconds to exit the Local Parameter Setting mode.



F0714.ai

7.5.12.2 Abort Configuration (Parameter)

To exit the configuration while editing the value, hold down the button for over 2 seconds and select “Save” or “Cancel”.



F0715.ai

7.5.13 Local Parameter Setting Lock

To disable parameter changes by the Local Parameter Setting there are three different ways.

	Locked features
Communication Parameter Ext SW =disable (EXT ZERO ADJ = disable)	<ul style="list-style-type: none"> External Zero Adjustment Local Parameter Setting
Communication Parameter Write Protect = On (WRT PROTECT = Yes)	<ul style="list-style-type: none"> Local Parameter Setting All Communication Parameters *
Hardware write protection switch on CPU assembly = D (Disable)	<ul style="list-style-type: none"> Local Parameter Setting All Communication Parameters *

*External Zero Adjustment is unlocked.

The above parameter setting is carried out by using field communicator or DTM. See the user’s manual IM 01C25T (HART/BRAIN) for the setting procedure.

Reviewing local parameter setting by push button on the integral indicator is available at any time even when the Local Parameter Setting is locked.

7.5.14 Others

- Difference between BRAIN and HART

	HART	BRAIN
Tag Number	Up to 8 characters can be set	Up to 16 characters can be set
Output Mode (Linear/Sq root)	“TRNS.FC” shown on the integral indicator	“OUT.MOD” shown on the integral indicator

- The degree of adjustment depends on the speed of turning the adjustment screw. Turn the screw slowly for fine tuning and turn the screw fast for quick tuning.

8. Maintenance

8.1 Overview



WARNING

Since the accumulated process fluid may be toxic or otherwise harmful, take appropriate care to avoid contact with the body or inhalation of vapors when draining condensate or venting gas from the transmitter pressure-detector section and even after dismounting the instrument from the process line for maintenance.

Maintenance of the transmitter is easy due to its modular construction. This chapter describes the procedures for calibration, adjustment, and the disassembly and reassembly procedures required for component replacement.

Transmitters are precision instruments. Please carefully and thoroughly read the following sections for information on how to properly handle them while performing maintenance.



IMPORTANT

- As a rule, maintenance of this transmitter should be done in a shop that has all the necessary tools.
- The CPU assembly contains sensitive parts that can be damaged by static electricity. Take precautions such as using a grounded wrist strap when handling electronic parts or touching the board circuit patterns. Also be sure to place the removed CPU assembly into a bag with an antistatic coating.

8.2 Calibration Instruments Selection

Table 8.1 lists the instruments that can be used to calibrate a transmitter. When selecting an instrument, consider the required accuracy level. Exercise care when handling these instruments to ensure they maintain the specified accuracy.

8.3 Calibration

Use the procedure below to check instrument operation and accuracy during periodic maintenance or troubleshooting.

- 1) Connect the instruments as shown in figure 8.1 and warm up the instruments for at least ten minutes.



IMPORTANT

- To adjust the transmitter for highest accuracy, make adjustments with the power supply voltage and load resistance including leadwire resistances set close to the conditions under which the transmitter is installed.
 - If the measurement range 0% point is 0 kPa or shifted in the positive direction (suppressed zero), the reference pressure should be applied as shown in the figure. If the measurement range 0% point is shifted in the negative direction (elevated zero), the reference pressure should be applied using a vacuum pump.
- 2) Apply reference pressures of 0%, 50%, and 100% of the measurement range to the transmitter. Calculate the errors (differences between digital voltmeter readings and reference pressures) as the pressure is increased from 0% to 100% and is decreased from 100% to 0%, and confirm that the errors are within the required accuracy.

Table 8.1 Instruments Required for Calibration

Name	Yokogawa-recommended Instrument	Remarks
Power supply	Model SDBT or SDBS distributor	4 to 20 mA DC signal
Load resistor	Model 2792 standard resistor [250 Ω ±0.005%, 3 W] Load adjustment resistor [100 Ω ±1%, 1 W]	
Voltmeter	Model 2501 A digital multimeter Accuracy (10V DC range): ±(0.002% of rdg + 1 dgt)	
Digital manometer	Model MT220 precision digital manometer 1) For 10 kPa class Accuracy: ±(0.015% of rdg + 0.015% of F.S.) for 0 to 10 kPa ±(0.2% of rdg + 0.1% of F.S.) for -10 to 0 kPa 2) For 130 kPa class Accuracy: ±0.02% of rdg for 25 to 130 kPa ±5digits for 0 to 25 kPa ±(0.2% of rdg + 0.1% of F.S.) for -80 to 0 kPa 3) For 700 kPa class Accuracy: ±(0.02% of rdg + 3digits) for 100 to 700 kPa ±5 digits for 0 to 100 kPa ±(0.2% of rdg + 0.1% of F.S.) for -80 to 0 kPa 4) For 3000 kPa class Accuracy: ±(0.02% of rdg + 10 digits) for 0 to 3000 kPa ±(0.2% of rdg + 0.1% of F.S.) for -80 to 0 kPa 5) For 130 kPa abs class Accuracy: ±(0.03% of rdg + 6 digits) for 0 to 130 kPa abs	Select a manometer having a pressure range close to that of the transmitter.
Pressure generator	Model 7674 pneumatic pressure standard for 200 kPa {2 kgf/cm ² }, 25 kPa {2500 mmH ₂ O} Accuracy: ±0.05% of F.S.	Requires air pressure supply.
	Dead weight gauge tester 25 kPa {2500 mmH ₂ O} Accuracy: ±0.03% of setting	Select the one having a pressure range close to that of the transmitter.
Pressure source	Model 6919 pressure regulator (pressure pump) Pressure range: 0 to 133 kPa {1000 mmHg}	Prepare the vacuum pump for negative pressure ranges.

Note: The above table contains the instruments capable of performing calibration to the 0.2% level. Since special maintenance and management procedures involving traceability of each instrument to higher-level standards are required for calibration to the 0.1% or higher level, there may be difficulties in calibration to this level in the field. For calibration to the 0.1% or higher level, use proper instruments for required level or contact Yokogawa representatives from which the instrument was purchased or the nearest Yokogawa office.

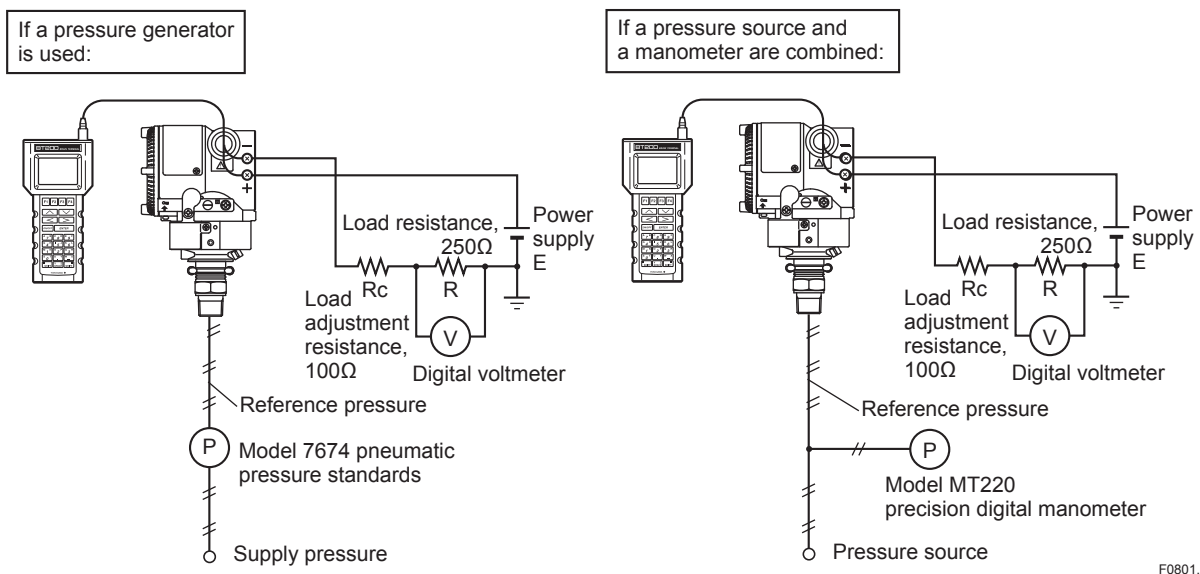


Figure 8.1 Instrument Connections (4 to 20 mA output)

F0801.ai

8.4 Disassembly and Reassembly

This section describes procedures for disassembly and reassembly for maintenance and component replacement.

Always turn OFF power and shut off and release pressures before disassembly. Use proper tools for all operations. Table 8.2 shows the tools required.

Table 8.2 Tools for Disassembly and Reassembly

Tool	Quantity	Remarks
Phillips screwdriver	1	JIS B4633, No. 2
Slotted screwdriver	1	
Allen wrenches	3	JIS B4648 One each, nominal 3, 4 and 2.5 mm Allen wrenches
Wrench	1	Width across flats, 17 mm
Torque wrench	1	
Adjustable wrench	1	
Socket wrench	1	Width across flats, 16 mm
Socket driver	1	Width across flats, 5.5 mm
Tweezers	1	

CAUTION

Precautions for ATEX Flameproof Type Transmitters

- Flameproof type transmitters must be, as a rule, removed to a non-hazardous area for maintenance and be disassembled and reassembled to the original state.
 - On the flameproof type transmitters the two covers are locked, each by an Allen head bolt (shrouding bolt). When a shrouding bolt is driven clockwise by an Allen wrench, it is going in and cover lock is released, and then the cover can be opened.
- When a cover is closed it should be locked by a shrouding bolt without fail. Tighten the shrouding bolt to a torque of 0.7 N·m.

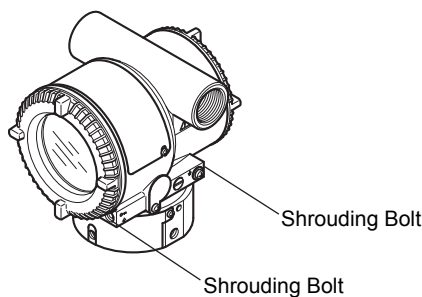


Figure 8.2 Shrouding Bolts

F0802.ai

8.4.1 Replacing the Integral Indicator

CAUTION

Cautions for Flameproof Type Transmitters

Users are prohibited by law from modifying the construction of a flameproof type transmitter. This would invalidate the agency approval for the use of the transmitter in a rated area. It follows that the user is prohibited from using a flameproof type transmitter with its integral indicator removed, or from adding an integral indicator to a transmitter. If such modification is absolutely required, contact Yokogawa.

This subsection describes the procedure for replacing an integral indicator. (See figure 8.3)

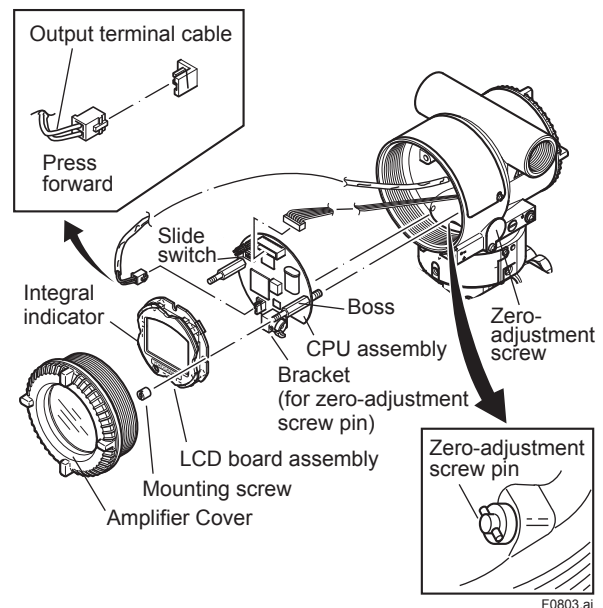
■ Removing the Integral Indicator

- 1) Remove the cover.
- 2) While supporting the integral indicator with one hand, loosen its two mounting screws.
- 3) Dismount the LCD board assembly from the CPU assembly.

When doing this, carefully pull the LCD board assembly straight forward so as not to damage the connector pins between it and the CPU assembly.

■ Attaching the Integral Indicator

- 1) Align both the LCD board assembly and CPU assembly connectors and engage them.
- 2) Insert and tighten the two mounting screws.
- 3) Replace the cover.



F0803.ai

Figure 8.3 Removing and Attaching LCD Board Assembly and CPU Assembly

8.4.2 Replacing the CPU Board Assembly

This subsection describes the procedure for replacing the CPU assembly. (See figure 8.3)

■ Removing the CPU Assembly

- 1) Remove the cover. If an integral indicator is mounted, refer to subsection 8.4.1 and remove the indicator.
- 2) Turn the zero-adjustment screw to the position (where the screw head slot is horizontal) as shown in figure 8.3.
- 3) Disconnect the output terminal cable (cable with brown connector at the end). When doing this, lightly press the side of the CPU assembly connector and pull the cable connector to disengage.
- 4) Use a socket driver (width across flats, 5.5mm) to loosen the two bosses.
- 5) Carefully pull the CPU assembly straight forward to remove it.
- 6) Disconnect the flat cable (cable with white connector at the end) that connects the CPU assembly and the capsule.



NOTE

Be careful not to apply excessive force to the CPU assembly when removing it.

■ Mounting the CPU Assembly

- 1) Connect the flat cable (with white connector) between the CPU assembly and the capsule.
- 2) Connect the output terminal cable (with brown connector).



NOTE

Make certain that the cables do not get pinched between the case and the edge of the CPU assembly.

- 3) Align and engage the zero-adjustment screw pin with the groove on the bracket on the CPU assembly. Then insert the CPU board assembly straight onto the post in the amplifier case.
- 4) Tighten the two bosses. If the transmitter is equipped with an integral indicator, refer to subsection 8.4.1 to mount the indicator.



NOTE

Confirm that the zero-adjustment screw pin is placed properly in the groove on the bracket prior to tightening the two bosses. If it is not, the zero-adjustment mechanism will be damaged.

- 5) Replace the cover.

8.4.3 Cleaning and Replacing the Capsule Assembly

This subsection describes the procedures for cleaning and replacing the capsule assembly. (See figure 8.4.)



CAUTION

Cautions for Flameproof Type Transmitters

Users are prohibited by law from modifying the construction of a flameproof type transmitter. If you wish to replace the capsule assembly with one of a different measurement range, contact Yokogawa.

The user is permitted, however, to replace a capsule assembly with another of the same measurement range. When doing so, be sure to observe the following.

- The replacement capsule assembly must have the same part number as the one being replaced.
- The section connecting the transmitter and capsule assembly is a critical element in preservation of flameproof performance, and must be checked to verify that it is free of dents, scratches, and other defects.
- After completing maintenance, be sure to securely tighten the setscrews that fasten the transmitter section and pressure-detector section together.

■ **Removing the Capsule Assembly**



IMPORTANT

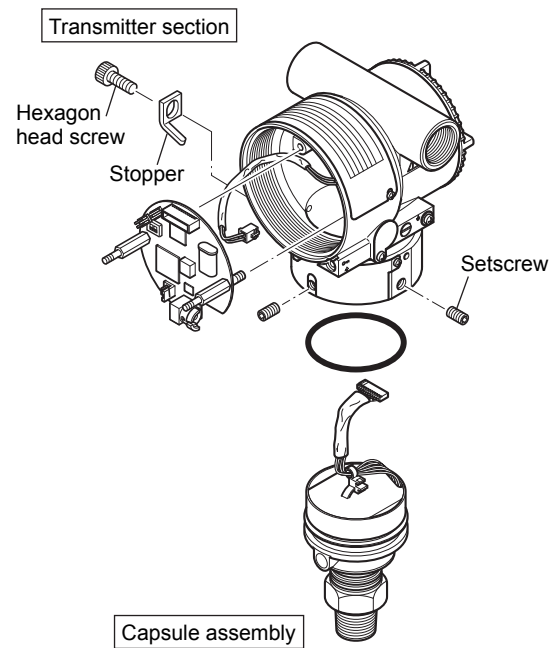
Exercise care as follows when cleaning the capsule assembly.

- Handle the capsule assembly with care, and be especially careful not to damage or distort the diaphragms that contact the process fluid.
- Do not use a chlorinated or acidic solution for cleaning.
- Rinse thoroughly with clean water after cleaning.

- 1) Remove the CPU assembly as shown in subsection 8.4.2.
- 2) Remove the two setscrews that connect the transmitter section and pressure-detector section.
- 3) Remove the hexagon-head screw and the stopper.
- 4) Separate the transmitter section and capsule assembly.
- 5) Clean the capsule assembly or replace with a new one.

■ **Reassembling the Capsule Assembly**

- 1) Insert the capsule assembly to the transmitter section. Reattach the stopper with the hexagon-head screw.
- 2) Tighten the two setscrews. (Tighten the screws to a torque of 1.5 N·m)
- 3) Install the CPU assembly according to subsection 8.4.2.
- 4) After completing reassembly, adjust the zero point and recheck the parameters.



F0804.ai

Figure 8.4 Removing and Mounting the Pressure-detector Section

8.5 Troubleshooting

If any abnormality appears in the measured values, use the troubleshooting flow chart below to isolate and remedy the problem. Since some problems have complex causes, these flow charts may not identify all. If you have difficulty isolating or correcting a problem, contact Yokogawa service personnel.

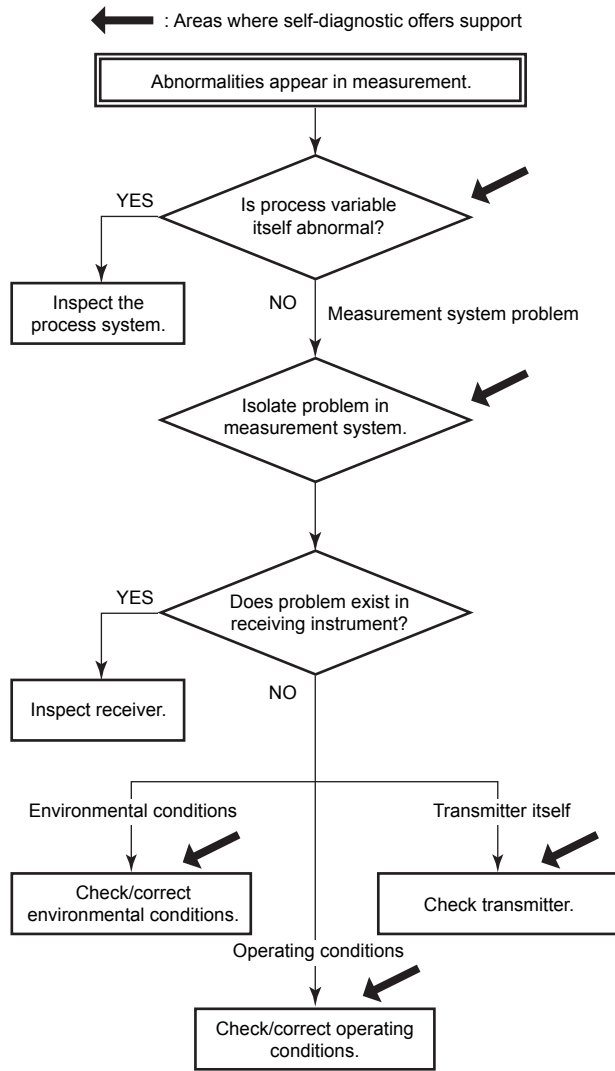
8.5.1 Basic Troubleshooting

First determine whether the process variable is actually abnormal or a problem exists in the measurement system.

If the problem is in the measurement system, isolate the problem and decide what corrective action to take.

This transmitter is equipped with a self-diagnostic function which will be useful in troubleshooting, and the transmitter equipped with an integral indicator will show an alarm code as a result of self-diagnosis.

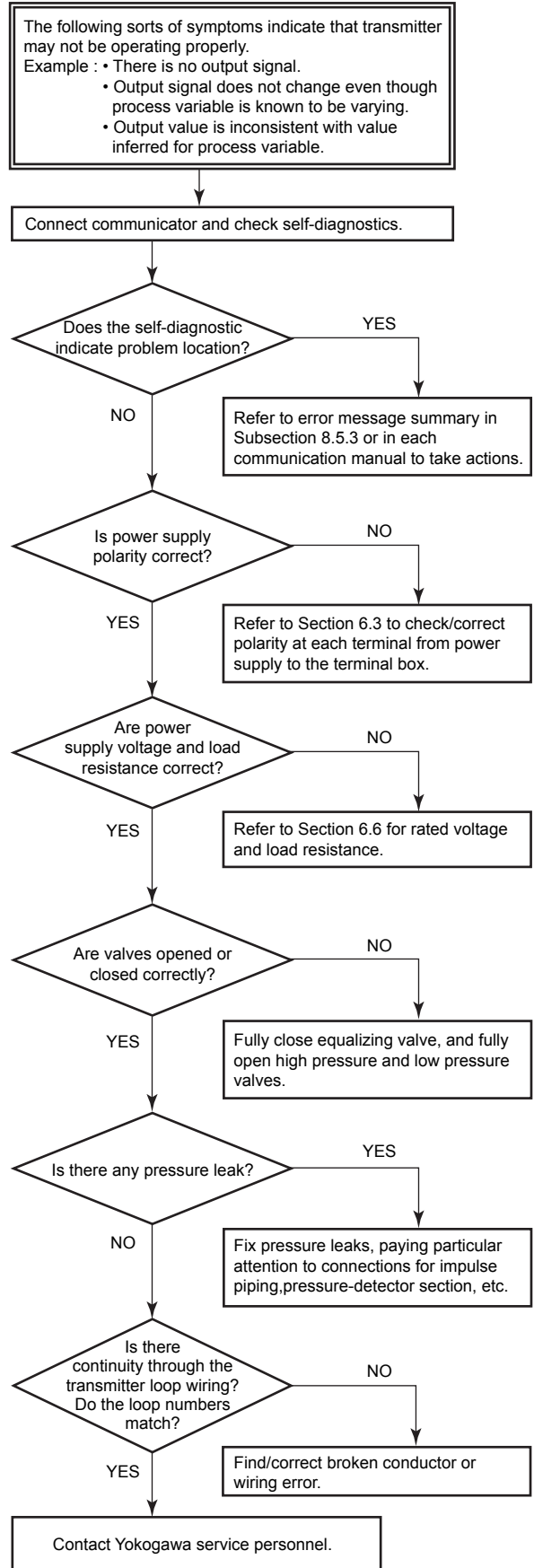
See subsection 8.5.3 for the list of alarms. See also each communication manual.



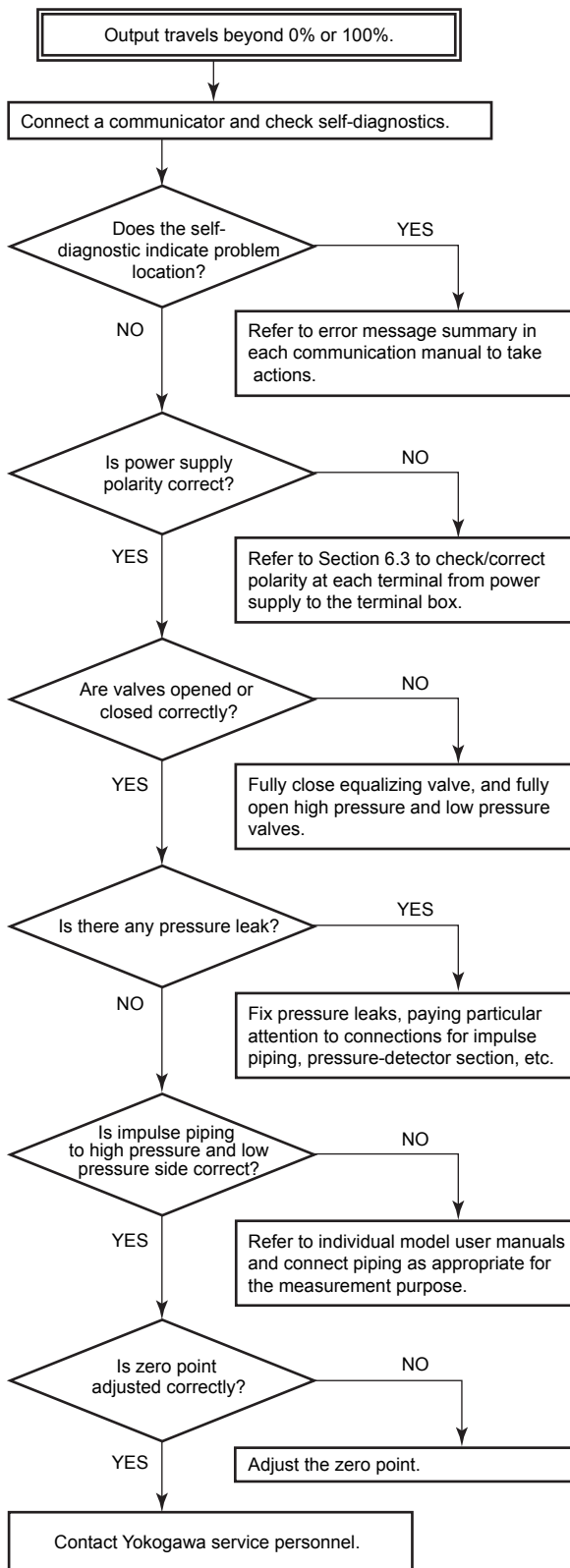
F0805.ai

Figure 8.5 Basic Flow and Self-Diagnostics

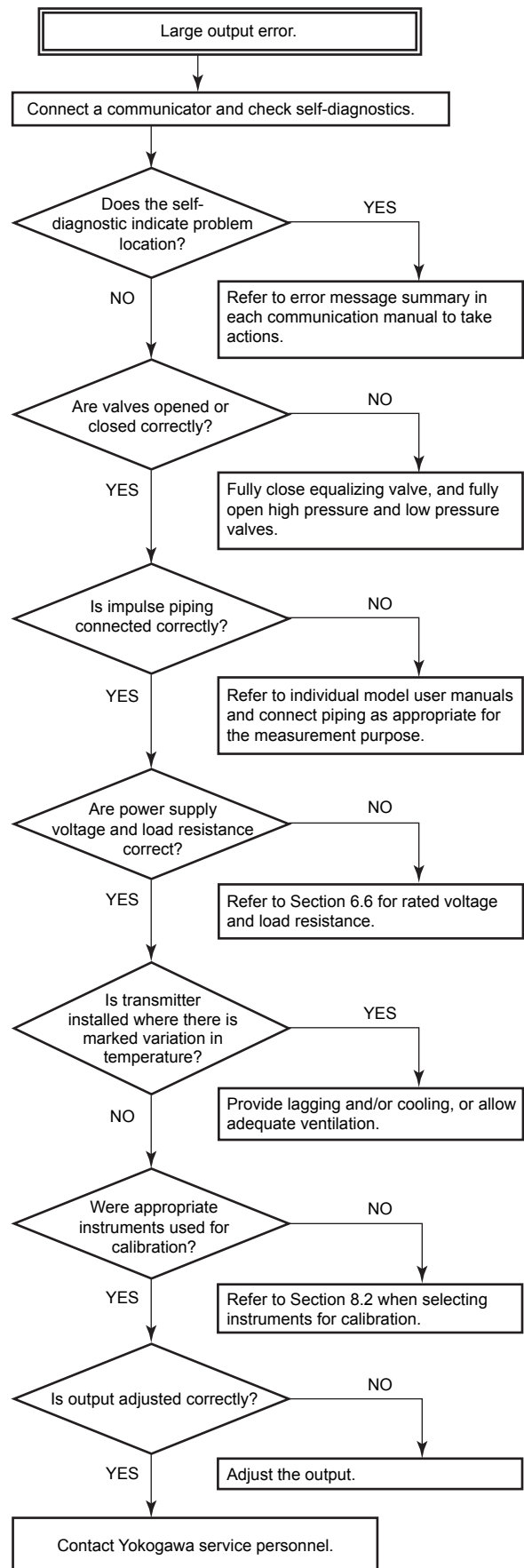
8.5.2 Troubleshooting Flowcharts



F0806.ai



F0807.ai



F0808.ai

8.5.3 Alarms and Countermeasures

Table 8.3 Alarm Message Summary

Indicator	Cause	Output Operation during Error	Countermeasure
None			
AL. 01 CAP. ERR	Sensor problem. Capsule temperature sensor problem. Capsule EEPROM problem.	Outputs the signal (Hold, High, or Low) set with parameter.	Replace capsule when error keeps appearing even after restart.
AL. 02 AMP. ERR	Amplifier temperature sensor problem. Amplifier EEPROM problem. Amplifier problem.	Outputs the signal (Hold, High, or Low) set with parameter.	Replace amplifier.
AL. 10 PRESS	Input is outside measurement range limit of capsule.	Outputs high range limit value or low range limit value.	Check input or replace capsule when necessary. Use heat insulation or make lagging to keep temperature within range.
AL. 11 ST. PRSS	Static pressure exceeds limit.	Continues to operate and output.	
AL. 12 CAP. TMP	Capsule temperature is outside range (-50 to 130°C).		
AL. 13 AMP. TMP	Amplifier temperature is outside range (-50 to 95°C)		
AL. 30 RANGE	Output is outside upper or lower range limit value.	Outputs high range limit value or low range limit value.	Check input and range setting, and change them as needed.
AL. 31 SP. RNG	Static pressure exceeds specified range.	Continues to operate and output.	
AL. 35 *1 P. HI	Input pressure exceeds specified threshold.		Check input.
AL. 36 *1 P. LO			
AL. 39 *1 TMP. HI	Detected temperature exceeds specified threshold.		
AL. 40 *1 TMP. LO			
AL. 50 P. LRV	Specified value is outside of setting range.	Holds output immediately before error occurred.	
AL. 51 P. URV			
AL. 52 P. SPN			
AL. 53 P. ADJ		Continues to operate and output.	Check input.
AL. 60 SC. CFG	Specified values or settings to define signal characterizer function do not satisfy the condition.	Continues to operate and output.	Check setting and change them as needed.
AL. 79 OV. DISP	Displayed value exceeds limit.		

*1: These alarms may appear only when process alarm function is activated.

9. General Specifications

9.1 Standard Specifications

Refer to IM 01C25T02-01E for FOUNDATION
 Fieldbus communication type and IM 01C25T04-
 01EN for PROFIBUS PA communication type for
 the items marked with “◇”.

- Performance Specifications

See General Specifications sheet for each model.

- Functional Specifications

Span & Range Limits

EJX530A

Measurement Span/Range	MPa	psi(/D1)	bar(/D3)	kgf/cm ² (/D4)	
A	Span	8 to 200kPa	1.16 to 29	0.08 to 2	0.08 to 2
	Range	-100 to 200 kPa	-14.5 to 29	-1 to 2	-1 to 2
B	Span	0.04 to 2	5.8 to 290	0.4 to 20	0.4 to 20
	Range	-0.1 to 2	-14.5 to 290	-1 to 20	-1 to 20
C	Span	0.2 to 10	29 to 1450	2 to 100	2 to 100
	Range	-0.1 to 10	-14.5 to 1450	-1 to 100	-1 to 100
D	Span	1 to 50	145 to 7200	10 to 500	10 to 500
	Range	-0.1 to 50	-14.5 to 7200	-1 to 500	-1 to 500

EJX510A (Values are absolute pressure)

Measurement Span/Range	MPa	psi(/D1)	bar(/D3)	kgf/cm ² (/D4)	
A	Span	8 to 200 kPa	1.16 to 29	0.08 to 2	0.08 to 2
	Range	0 to 200 kPa	0 to 29	0 to 2	0 to 2
B	Span	0.04 to 2	5.8 to 290	0.4 to 20	0.4 to 20
	Range	0 to 2	0 to 290	0 to 20	0 to 20
C	Span	0.2 to 10	29 to 1450	2 to 100	2 to 100
	Range	0 to 10	0 to 1450	0 to 100	0 to 100
D	Span	1 to 50	145 to 7200	10 to 500	10 to 500
	Range	0 to 50	0 to 7200	0 to 500	0 to 500

EJX630A

Measurement Span/Range	MPa	psi (/D1)	bar (/D3)	kgf/cm ² (/D4)	
A	Span	2 to 200 kPa	0.3 to 29	0.02 to 2	0.02 to 2
	Range	-100 to 200 kPa	-14.5 to 29	-1 to 2	-1 to 2
B	Span	0.01 to 2	1.5 to 290	0.1 to 20	0.1 to 20
	Range	-0.1 to 2	-14.5 to 290	-1 to 20	-1 to 20
C	Span	0.05 to 10	7.3 to 1450	0.5 to 100	0.5 to 100
	Range	-0.1 to 10	-14.5 to 1450	-1 to 100	-1 to 100
D	Span	0.35 to 70	50.8 to 10150	3.5 to 700	3.5 to 700
	Range	-0.1 to 70	-14.5 to 10150	-1 to 700	-1 to 700

EJX610A (Values are absolute pressure)

Measurement Span/Range	MPa	psi (/D1)	bar (/D3)	kgf/cm ² (/D4)	
A	Span	2 to 200 kPa	0.3 to 29	0.02 to 2	0.02 to 2
	Range	0 to 200 kPa	0 to 29	0 to 2	0 to 2
B	Span	0.01 to 2	1.5 to 290	0.1 to 20	0.1 to 20
	Range	0 to 2	0 to 290	0 to 20	0 to 20
C	Span	0.05 to 10	7.3 to 1450	0.5 to 100	0.5 to 100
	Range	0 to 10	0 to 1450	0 to 100	0 to 100
D	Span	0.35 to 70	50.8 to 10150	3.5 to 700	3.5 to 700
	Range	0 to 70	0 to 10150	0 to 700	0 to 700

EJA530E

Measurement Span/Range	MPa	psi(/D1)	bar(/D3)	kgf/cm ² (/D4)	
A	Span	10 to 200 kPa	1.45 to 29	0.1 to 2	0.1 to 2
	Range	-100 to 200 kPa	-14.5 to 29	-1 to 2	-1 to 2
B	Span	0.1 to 2	14.5 to 290	1 to 20	1 to 20
	Range	-0.1 to 2	-14.5 to 290	-1 to 20	-1 to 20
C	Span	0.5 to 10	72.5 to 1450	5 to 100	5 to 100
	Range	-0.1 to 10	-14.5 to 1450	-1 to 100	-1 to 100
D	Span	5 to 50*	720 to 7200*	50 to 500*	50 to 500*
	Range	-0.1 to 50*	-14.5 to 7200*	-1 to 500*	-1 to 500*

*: 70 MPa, 10150 psi, 700 bar or 700 kgf/cm² when /HG is specified.

EJA510E (Values are absolute pressure)

Measurement Span/Range	MPa	psi(/D1)	bar(/D3)	kgf/cm ² (/D4)	
A	Span	10 to 200 kPa	1.45 to 29	0.1 to 2	0.1 to 2
	Range	0 to 200 kPa	0 to 29	0 to 2	0 to 2
B	Span	0.1 to 2	14.5 to 290	1 to 20	1 to 20
	Range	0 to 2	0 to 290	0 to 20	0 to 20
C	Span	0.5 to 10	72.5 to 1450	5 to 100	5 to 100
	Range	0 to 10	0 to 1450	0 to 100	0 to 100
D	Span	5 to 50*	720 to 7200*	50 to 500*	50 to 500*
	Range	0 to 50*	0 to 7200*	0 to 500*	0 to 500*

*: 70 MPa, 10150 psi, 700 bar or 700 kgf/cm² when /HG is specified.

Output “◇”

For 4 to 20 mA output

(Output signal code D, E and J)

Two wire 4 to 20 mA DC output with digital communications, linear or square root programmable. BRAIN or HART FSK protocol are superimposed on the 4 to 20 mA signal. Output range: 3.6 mA to 21.6 mA. Output limits conform to NAMUR NE43 can be pre-set by option C2 or C3.

For 1 to 5 V output

(Output signal code Q)

Three or four wire low power 1 to 5 V DC output with HART, linear or square root programmable. HART protocol is superimposed on the 1 to 5 V DC signal. Output range: 0.9 V to 5.4 V DC

Failure Alarm “◇”

For 4 to 20 mA output

(Output signal code D, E and J)

Analog output status at CPU failure and hardware error;
Up-scale: 110%, 21.6 mA DC or more (standard)
Down-scale: -5%, 3.2 mA DC or less

For 1 to 5 V output

(Output signal code Q)

Analog output status at CPU failure and hardware error;
Up-scale: 110%, 5.4 V DC or more (standard)
Down-scale: -5%, 0.8 V DC or less

Damping Time Constant (1st order)

Amplifier damping time constant is adjustable from 0 to 100.00 seconds and added to response time.

Note: For BRAIN protocol type, when amplifier damping is set to less than 0.5 seconds, communication may occasionally be unavailable during the operation, especially while output changes dynamically. The default setting of damping ensures stable communication.

Update Period “◇”

45 ms

Zero Adjustment Limits

Zero can be fully elevated or suppressed, within the lower and upper range limits of the capsule.

External Zero Adjustment “◇”

External Zero is continuously adjustable with 0.01% incremental resolution of span. Re-range can be done locally using the digital indicator with range-setting switch.

Integral Indicator (LCD display)

5-digit Numerical Display, 6-digit Unit Display and Bar graph.

The indicator is configurable to display one or up to four of the following variables periodically.; Pressure in %, Scaled pressure, pressure in Engineering unit.

See “Setting When Shipped” for factory setting.

Burst Pressure Limits

EJ□510□ and EJ□530□

Capsule	Pressure
A, B, C	30 MPa (4350 psi)
D *	132 MPa (19100 psi)

*: 182 MPa (26300 psi) for EJA510E and EJA530E when /HG is specified.

EJX610A and EJX630A

Capsule	Pressure
A, B, C	50 MPa (7200 psi)
D	182 MPa (26300 psi)

● **Normal Operating Condition**
(Selected features may affect limits.)

Ambient Temperature Limits

-40 to 85°C (-40 to 185°F)
-30 to 80°C (-22 to 176°F) with LCD display

Process Temperature Limits

-40 to 120°C (-40 to 248°F)

Ambient Humidity Limits

0 to 100% RH

Working Pressure Limits (Silicone oil)

Maximum Pressure Limits

Capsule	Pressure	
	EJ□510□	EJ□530□
A	200 kPa abs (29 psia)	200 kPa (29 psig)
B	2 MPa abs (290 psia)	2 MPa (290 psig)
C	10 MPa abs (1450 psia)	10 MPa (1450 psig)
D*	50 MPa abs (7200 psia)	50 MPa (7200 psig)

*: 70 MPa(10150 psi) for EJA510E and EJA530E when /HG is specified.

Capsule	Pressure	
	EJX610A	EJX630A
A	200 kPa abs (29 psia)	200 kPa (29 psi)
B	2 MPa abs (290 psia)	2 MPa (290 psi)
C	10 MPa abs (1450 psia)	10 MPa (1450 psi)
D	70 MPa abs (10150 psia)	70 MPa (10150 psi)

Minimum Pressure Limit

See graph below

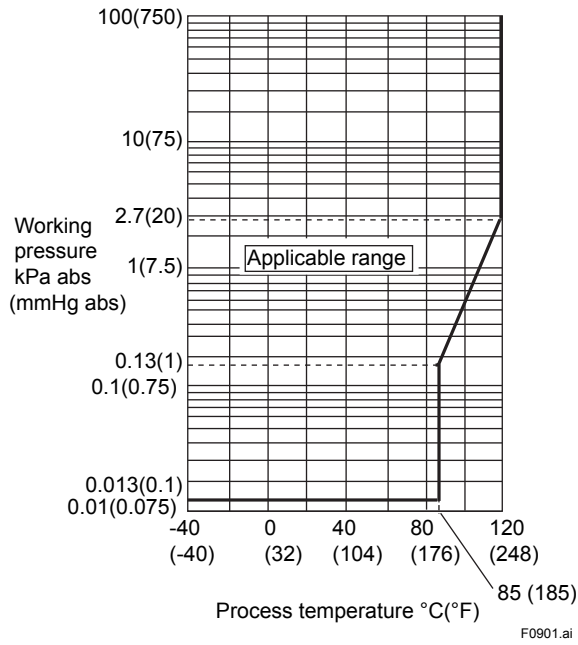


Figure 9.1 Working Pressure and Process Temperature [For EJ□510□ and EJX610A]

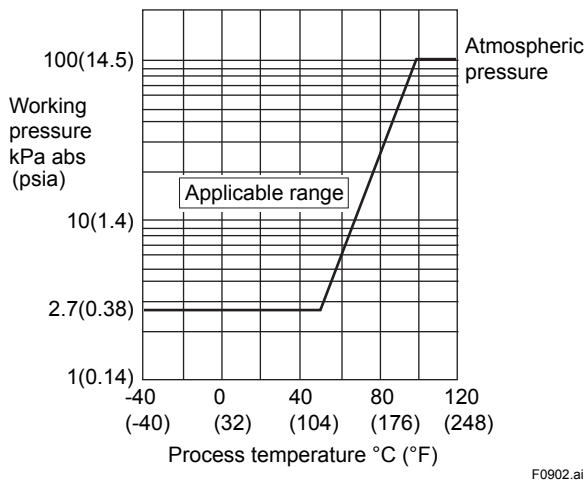


Figure 9.2 Working Pressure and Process Temperature [For EJ□530□ and EJX630A]

Maximum Over Pressure

Capsule	Pressure	
	EJ□510□	EJ□530□
A and B	4 MPa abs (580 psia)	4 MPa (580 psig)
C	20 MPa abs (2900 psia)	20 MPa (2900 psig)
D*	75 MPa abs (10800 psia)	75 MPa (10800 psig)

*: 60 MPa (8700 psi) for EJA510E and EJA530E. 105 MPa for EJA510E and EJA530E when /HG is specified.

Capsule	Pressure	
	EJX610A	EJX630A
A	4 MPa abs (580 psia)	4 MPa (580 psi)
B	16 MPa abs (2300 psia)	16 MPa (2300 psi)
C	25 MPa abs (3600 psia)	25 MPa (3600 psi)
D	105 MPa abs (15200 psia)	105 MPa (15200 psi)

Supply & Load Requirements “◇”

For output signal code D, E, and J.

(Optional features or approval codes may affect electrical requirements.)

With 24 V DC supply, up to a 550 Ω load can be used. See graph below.

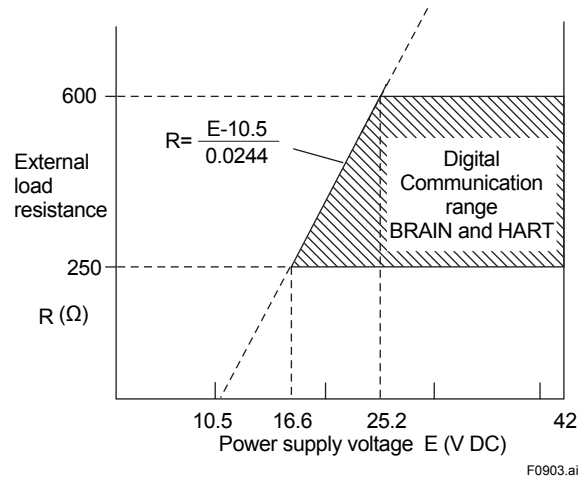


Figure 9.3 Relationship Between Power Supply Voltage and External Load Resistance

Supply Voltage “◇”

For 4 to 20 mA output

(Output signal code D, E and J)

10.5 to 42 V DC for general use and flameproof type.

10.5 to 32 V DC for lightning protector (Option code /A).

10.5 to 30 V DC for intrinsically safe, type n or non-incendive type.

Minimum voltage limited at 16.6 V DC for digital communications, BRAIN and HART

For 1 to 5 V output

(Output signal code Q)

Power supply :

9 to 28 V DC for general use and flame proof type.

Power Consumption :

0.96 mA to 3 mA, 27 mW

Load for 4 to 20 mA output**(Output signal code D, E and J)**0 to 1290 Ω for operation250 to 600 Ω for digital communication**Output Load for 1 to 5 V output****(Output signal code Q)**1 M Ω or greater (meter input impedance)**Communication Requirements “◇”****(Safety approvals may affect electrical requirements.)****BRAIN****Communication Distance**

Up to 2 km (1.25 miles) when using CEV polyethylene-insulated PVC-sheathed cables. Communication distance varies depending on type of cable used.

Load Capacitance0.22 μ F or less**Load Inductance**

3.3 mH or less

Input Impedance of communicating device10 k Ω or more at 2.4 kHz.**EMC Conformity Standards**

EN 61326-1 Class A, Table2

EN 61326-2-3

EN 61326-2-5 (for Fieldbus)

Immunity influence during the test

Pressure: Output shift is specified within $\pm 1\%$ of 1/20 Max span.

Static pressure: Output shift is specified within $\pm 2\%$ of 1MPa span.

Status Output Line*: Continues to operate without reversal.

*: Only for /AL option.

Condition for EMC test for FOUNDATION fieldbus

type: The shield of the cable and the case are connected with a capacitor of 10nF.

● Physical Specifications**Wetted Parts Materials****Diaphragm, Process Connector**

Refer to “Model and Suffix Code.”

Non-wetted Parts Materials**Housing**

- Low copper cast aluminum alloy
- Low copper cast aluminum alloy with corrosion resistance properties (copper content $\leq 0.03\%$, iron content $\leq 0.15\%$) (optional)
- ASTM CF-8M Stainless steel (optional)

Coating of housing

[for aluminum housing]

Polyester resin powder coating

[for option code /P□ or /X2]

Epoxy and polyurethane resin solvent coating

Degrees of Protection

IP66/IP67, Type 4X

Pipe

Polypropylene

Cover O-rings

Buna-N, fluoro-rubber (option)

Nameplate and tag

316SST (including /N4 wired tag)

Fill Fluid

Silicone, Fluorinated oil (option)

Weight

Capsule A, B and C: 1.2kg (2.6 lb)*

Capsule D: 1.4 kg (3.1 lb)*

*: Without integral indicator and mounting bracket.

Add 1.5 kg (3.3lb) for Amplifier housing code 2.

Connections

Refer to “Model and Suffix Code.”

9.2 Model and Suffix Codes

Model	Suffix Codes	Description									
EJX510A EJX530A	Absolute pressure transmitter Gauge pressure transmitter									
Output signal	-D -E -J -F -G -P -S	4 to 20 mA DC Output with digital communication (BRAIN protocol) 4 to 20 mA DC Output with digital communication (HART protocol) 4 to 20 mA DC with digital communication (HART 5/HART 7 protocol) Digital communication (FOUNDATION Fieldbus protocol, refer to IM 01C25T02-01E) Digital communication (PROFIBUS PA protocol, refer to IM 01C25T04-01EN) Master for Digital Remote Sensor, refer to IM 0C25W05-01EN. Slave for Digital Remote Sensor, refer to IM 0C25W05-01EN.									
Measurement span (capsule)	A..... B..... C..... D.....	8 to 200 kPa (1.16 to 29 psi) 0.04 to 2 MPa (5.8 to 290 psi) 0.2 to 10 MPa (29 to 1450 psi) 1 to 50 MPa (145 to 7200 psi)									
Wetted parts material	S..... H.....	<table border="0"> <tr> <td><u>Process connector</u></td> <td><u>Diaphragm</u></td> <td><u>Others</u></td> </tr> <tr> <td>316L SST</td> <td>Hastelloy C-276 *1</td> <td>316L SST</td> </tr> <tr> <td>Hastelloy C-276 *1</td> <td>Hastelloy C-276 *1</td> <td>Hastelloy C-276 *1</td> </tr> </table>	<u>Process connector</u>	<u>Diaphragm</u>	<u>Others</u>	316L SST	Hastelloy C-276 *1	316L SST	Hastelloy C-276 *1	Hastelloy C-276 *1	Hastelloy C-276 *1
<u>Process connector</u>	<u>Diaphragm</u>	<u>Others</u>									
316L SST	Hastelloy C-276 *1	316L SST									
Hastelloy C-276 *1	Hastelloy C-276 *1	Hastelloy C-276 *1									
Process connections	4..... 7..... 8..... 9..... P.....	1/2 NPT female 1/2 NPT male G1/2 DIN 16 288 male *2 M20×1.5 DIN 16 288 male *2 For Diaphragm Seal System. Refer to IM 01C25W01-01EN or IM 01C25W05-01EN.									
—	N.....	Always N									
—	-0	Always 0									
Amplifier housing	1..... 2..... 3.....	Cast aluminum alloy ASTM CF-8M Stainless steel*4 Cast aluminum alloy with corrosion resistance properties									
Electrical connection	▶ 0..... 2..... 4..... 5..... 7..... 9..... A..... C..... D.....	G1/2 female, one electrical connection without blind plugs 1/2 NPT female, two electrical connections without blind plugs M20 female, two electrical connections without blind plugs G1/2 female, two electrical connections with a blind plug 1/2 NPT female, two electrical connections with a blind plug M20 female, two electrical connections with a blind plug G1/2 female, two electrical connections with a 316SST blind plug 1/2 NPT female, two electrical connections with a 316SST blind plug M20 female, two electrical connections with a 316SST blind plug									
Integral indicator	▶ D..... E..... N.....	Digital indicator*5 Digital indicator with the range setting switch (push button)*3 None									
Mounting bracket	▶ F..... L..... N.....	304 SST 2-inch pipe mounting 316 SST 2-inch pipe mounting None									
Optional codes		/ □ Optional specification									

The “▶” marks indicate the most typical selection for each specification. Example: EJX530A-DAS4N-012NN/□.

*1: Hastelloy C-276 or ASTM N10276.

*2: Not applicable for combination of capsule code D and wetted parts material code H.

*3: Not applicable for output signal code F.

*4: Not applicable for electrical connection code 0, 5, 7 and 9.

*5: Not applicable for output signal code G.

Model	Suffix Codes	Description
EJX610A EJX630A	Absolute pressure transmitter Gauge pressure transmitter
Output signal	-D -E -F -G -P -S	4 to 20 mA DC Output with digital communication (BRAIN protocol) 4 to 20 mA DC Output with digital communication (HART protocol) Digital communication (FOUNDATION Fieldbus protocol, refer to IM 01C25T02-01E) Digital communication (PROFIBUS PA protocol, refer to IM 01C25T04-01EN) Master for Digital Remote Sensor, refer to IM 0C25W05-01EN. Slave for Digital Remote Sensor, refer to IM 0C25W05-01EN.
Measurement span (capsule)	A..... B..... C..... D.....	2 to 200 kPa (0.3 to 29 psi) 0.01 to 2 MPa (1.5 to 290 psi) 0.05 to 10 MPa (7.3 to 1450 psi) 0.35 to 70 MPa (50.8 to 10150 psi)
Wetted parts material *4	S..... H.....	<u>Process connector</u> <u>Diaphragm</u> <u>Others</u> 316L SST Hastelloy C-276 *1 316L SST Hastelloy C-276 *1 Hastelloy C-276 *1 Hastelloy C-276 *1
Process connections	4..... 7..... 8..... 9.....	1/2 NPT female 1/2 NPT male G1/2 DIN 16 288 male *2 M20×1.5 DIN 16 288 male *2
—	N.....	Always N
—	-0	Always 0
Amplifier housing	▶ 1..... 2..... 3.....	Cast aluminum alloy ASTM CF-8M Stainless Steel *5 Cast aluminum alloy with corrosion resistance properties
Electrical connection	▶ 0..... 2..... 4..... 5..... 7..... 9..... A..... C..... D.....	G1/2 female, one electrical connection without blind plugs 1/2 NPT female, two electrical connections without blind plugs M20 female, two electrical connections without blind plugs G1/2 female, two electrical connections with a blind plug *6 1/2 NPT female, two electrical connections with a blind plug *6 M20 female, two electrical connections with a blind plug *6 G1/2 female, two electrical connections and a 316 SST blind plug 1/2 NPT female, two electrical connections and a 316 SST blind plug M20 female, two electrical connections and a 316 SST blind plug
Integral indicator	▶ D..... E..... N.....	Digital indicator *7 Digital indicator with the range setting switch (push button)*3 None
Mounting bracket	▶ F..... L..... N.....	304 SST 2-inch pipe mounting 316 SST 2-inch pipe mounting None
Optional codes		/ <input type="checkbox"/> Optional specification

The "▶" marks indicates the most typical selection for each specification. Example: EJX630A-DAS4N-012NN/□.

*1: Hastelloy C-276 or ASTM N10276.

*2: Not applicable for combination of capsule code D and wetted parts material code H.

*3: Not applicable for output signal code F.

*4: ⚠ Users must consider the characteristics of selected wetted parts material and the influence of process fluids. The use of inappropriate materials can result in the leakage of corrosive process fluids and cause injury to personnel and/or damage to plant facilities. It is also possible that the diaphragm itself can be damaged and that material from the broken diaphragm and the fill fluid can contaminate the user's process fluids.

Be very careful with highly corrosive process fluids such as hydrochloric acid, sulfuric acid, hydrogen sulfide, sodium hypochlorite, and high-temperature steam (150°C [302°F] or above). Contact Yokogawa for detailed information of the wetted parts material.

*5: Not applicable for electrical connection code 0, 5, 7 or 9.

*6: Material of a blind plug is aluminum alloy or 304 SST.

*7: Not applicable for output signal code G.

Model	Suffix Codes	Description
EJA510E EJA530E	Absolute pressure transmitter Gauge pressure transmitter
Output signal	-D -J -F -G -Q	4 to 20 mA DC Output with digital communication (BRAIN protocol) 4 to 20 mA DC Output with digital communication (HART 5/HART 7 protocol)*1 Digital communication (FOUNDATION Fieldbus protocol, refer to IM 01C25T02-01EN) Digital communication (PROFIBUS PA protocol, refer to IM 01C25T04-01EN) Low Power, 1 to 5 V DC with digital communication (HART 7 protocol)
Measurement span (capsule)	A..... B..... C..... D.....	10 to 200 kPa (1.45 to 29 psi) 0.1 to 2 MPa (14.5 to 290 psi) 0.5 to 10 MPa (72.5 to 1450 psi) 5 to 50 MPa (720 to 7200 psi) *10
Wetted parts material *2	S..... H.....	<u>Process connector</u> <u>Diaphragm</u> <u>Others</u> 316L SST Hastelloy C-276 *3 316L SST Hastelloy C-276 *3 Hastelloy C-276 *3 Hastelloy C-276 *3
Process connections	4..... 7..... 8..... 9..... P.....	1/2 NPT female 1/2 NPT male G1/2 DIN 16 288 male *4 M20×1.5 DIN 16 288 male *4 For Diaphragm Seal System. Refer to IM 01C25W01-01EN.
—	N.....	Always N
—	-0	Always 0
Amplifier housing ▶	1..... 2..... 3.....	Cast aluminum alloy Cast aluminum alloy with corrosion resistance properties *5 ASTM CF-8M stainless steel *6
Electrical connection ▶	0..... 2..... 4..... 5..... 7..... 9..... A..... C..... D.....	G1/2 female, one electrical connection without blind plugs 1/2 NPT female, two electrical connections without blind plugs M20 female, two electrical connections without blind plugs G1/2 female, two electrical connections with a blind plug *7 1/2 NPT female, two electrical connections with a blind plug *7 M20 female, two electrical connections with a blind plug *7 G1/2 female, two electrical connections and a 316 SST blind plug 1/2 NPT female, two electrical connections and a 316 SST blind plug M20 female, two electrical connections and a 316 SST blind plug
Integral indicator ▶	D..... E..... N.....	Digital indicator *9 Digital indicator with the range setting switch (push button)*8 None
Mounting bracket ▶	L..... N.....	316 SST 2-inch pipe mounting None
Optional codes		/ <input type="checkbox"/> Optional specification

The “▶” marks indicates the most typical selection for each specification. Example: EJA530E-DAS4N-012NN/□.

*1: HART 5 or HART 7 is selectable. Specify upon ordering.

*2: △ Users must consider the characteristics of selected wetted parts material and the influence of process fluids. The use of inappropriate materials can result in the leakage of corrosive process fluids and cause injury to personnel and/or damage to plant facilities. It is also possible that the diaphragm itself can be damaged and that material from the broken diaphragm and the fill fluid can contaminate the user’s process fluids.

Be very careful with highly corrosive process fluids such as hydrochloric acid, sulfuric acid, hydrogen sulfide, sodium hypochlorite, and high-temperature steam (150°C [302°F] or above). Contact Yokogawa for detailed information of the wetted parts material. Hastelloy C-276 or ASTM N10276.

*3: Hastelloy C-276 or ASTM N10276.

*4: Not applicable for combination of capsule code D and wetted parts material code H.

*5: Not applicable for electrical connection code 0, 5, 7, 9 and A. Content rate of copper in the material is 0.03% or less and content rate of iron is 0.15% or less.

*6: Not applicable for electrical connection code 0, 5, 7 or 9.

*7: Material of a blind plug is aluminum alloy or 304 SST.

*8: Not applicable for output signal code F.

*9: Not applicable for output signal code G.

*10: 5 to 70 MPa (720 to 10150 psi) when /HG is specified.

9.3 Optional Specifications “◇”

Item	Description	Code	
Factory Mutual (FM)	FM Explosionproof *1 Explosionproof for Class I, Division 1, Groups B, C and D Dust-ignitionproof for Class II/III, Division 1, Groups E, F and G Hazardous (classified) locations, indoors and outdoors (NEMA 4X)	FF1	
	FM Intrinsically safe *1*2 Intrinsically Safe for Class I, Division 1, Groups A, B, C and D, Class II, Division 1, Groups E, F and G and Class III, Division 1 Hazardous Locations. Nonincendive for Class I, Division 2, Groups A, B, C and D, Class II, Division 2, Groups F and G, Hazardous Locations.	FS1	
	Combined FF1 and FS1 *1*2	FU1	
ATEX	ATEX Flameproof *1 II 2G, 2D Ex db IIC T6...T4 Gb, Ex tb IIIC T85°C Db Special fastener: ClassA2-50(A4-50) or more	KF22	
	ATEX Intrinsically safe Ex ia *1*2 II 1G, 2D Ex ia IIC T4 Ga, Ex ia IIIC T85°C T100°C T120°C Db	KS21	
	Combined KF22, KS21 and ATEX Intrinsically safe Ex ic *1*2 Ex ic: II 3G Ex ic IIC T4 Gc	KU22	
Canadian Standards Association (CSA)	CSA Explosionproof *1 [For CSA C22.2] Explosionproof for Class I, Division 1, Groups B, C and D Dustignitionproof for Class II/III, Division 1, Groups E, F and G [For CSA E60079] Flameproof for Zone1, Ex d IIC T6...T4 Enclosure IP66/IP67 Process Sealing Certification Dual Seal Certified by CSA to the requirement of ANSI/ISA 12.27.01 No additional sealing required Primary seal failure annunciation: at the zero adjustment screw	CF1	
	CSA Intrinsically safe *1*2 [For CSA C22.2] Intrinsically safe for Class I, Division 1, Groups A, B, C and D, Class II, Division 1, Groups E, F and G, Class III, Division 1 Nonincendive for Class I, Division 2, Groups A, B, C and D, Class II, Division 2, Groups F and G, Class III, Division 1 [For CSA E60079] Ex ia IIC T4, Ex nL IIC T4 Process Sealing Certification Dual Seal Certified by CSA to the requirement of ANSI/ISA 12.27.01 No additional sealing required Primary seal failure annunciation: at the zero adjustment screw	CS1	
	Combined CF1 and CS1 *1*2	CU1	
IECEx	IECEx flameproof *1 Flameproof for Zone1, Ex d IIC T6...T4 Gb Special fastener: ClassA2-50(A4-50) or more	SF2	
	IECEx Intrinsically safe and flameproof *1*2 Intrinsically safe Ex ia IIC T4 Ga, Ex ic IIC T4 Gc Flameproof Flameproof for Zone1, Ex d IIC T6...T4 Gb Special fastener: ClassA2-50(A4-50) or more	SU21	
Combination of Approval	Combination of KU22, FU1 and CU1	V1U1	
NEPSI	NEPSI Flameproof and dust ignition proof *1	Refer to IM 01C25A00-12E (Printed English manual, attached to the products upon shipment.)	NF21
	NEPSI Flameproof *1		NF2
	NEPSI Intrinsically safe *1*2		NS21
KOSHA	KOSHA Flameproof *1	Refer to IM 01C25A01-01KO (Printed Korean manual, attached to the products upon shipment.)	PF22
	KOSHA Intrinsically safe *1*2		PS21
INMETRO	INMETRO Flameproof *1	Refer to IM 01C25A11-01P-Y (CD-ROM Portuguese manual, attached to the products upon shipment.)	UF1
	INMETRO Intrinsically safe *1*2		US1

Item		Description	Code	
Marine Certificate	American Bureau of Shipping Type Approval *3*5		WCA	
	Bureau Veritas Type Approval *3*5		WCB	
	Det Norske Veritas Type Approval *3*5		WCD	
	Lloyd's Register of Shipping Type Approval *3*4*5		WCL	
	Nippon Kaiji Kyokai (NK) Type Approval *3*5		WCN	
High Accuracy type *22		High accuracy	HAC	
Painting	Color change	Amplifier cover only	P□	
		Amplifier cover and terminal cover, Munsell 7.5 R4/14	PR	
	Coating change	Anti-corrosion coating*6	X2	
316 SST exterior parts *7		316 SST name plate, tag plate and zero adjustment screw	HC	
Fluoro-rubber O-ring		All O-rings of amplifier housing. Lower limit of ambient temperature: -15°C (5°F)	HE	
Lightning protector		Transmitter power supply voltage: 10.5 to 32 V DC (10.5 to 30 V DC for intrinsically safe type, 9 to 32 V DC for Fieldbus communication type.) Allowable current: Max. 6000 A (1×40 μs), Repeating 1000 A (1×40 μs) 100 times Applicable Standards: IEC 61000-4-4, IEC 61000-4-5	A	
Status output *8		Transistor output (sink type) Contact rating: 10.5 to 30 VDC, 120 mA DC(max) Low level: 0 to 2 VDC	AL	
Oil-prohibited use		Degrease cleansing treatment.	K1	
		Degrease cleansing treatment with fluorinated oilfilled capsule. Operating temperature -20 to 80°C(-4 to 176°F)	K2	
Oil-prohibited use with dehydrating treatment		Degrease cleansing and dehydrating treatment	K5	
		Degrease cleansing and dehydrating treatment with fluorinated oil filed capsule. Operating temperature. -20 to 80°C(-4 to 176°F)	K6	
Capsule fill fluid		Fluorinated oil filled in capsule Operating temperature -20 to 80°C(-4 to 176°F)	K3	
Calibration units *9		P calibration (psi unit)	(See Table for Span and Range Limits.)	
		bar calibration (bar unit)		
		M calibration (kgf/cm ² unit)		
Output limits and failure operation *10		Failure alarm down-scale: Output status at CPU failure and hardware error is -5%, 3.2 mA DC or less. *24	C1	
		NAMUR NE43 Compliant Output signal limits: 3.8 mA to 20.5 mA *25	Failure alarm down-scale: Output status at CPU failure and hardware error is -5%, 3.2 mA DC or less.	C2
			Failure alarm up-scale: Output status at CPU failure and hardware error is 110%, 21.6 mA or more.	C3
Gold-plated diaphragm *18		Surface of isolating diaphragm is gold plated, effective for hydrogen permeation.	A1	
Wired tag plate		304 SST tag plate wired onto transmitter	N4	
Data configuration at factory *11		Data configuration for HART communication type	Software damping, Descriptor, Message	
		Data configuration for BRAIN communication type	Software damping	
Advanced diagnostics *19		Multi-sensing process monitoring • Impulse line blockage detection *20 • Heat trace monitoring	DG6	
European Pressure Equipment Directive *21		PED 97/23/EC Category: III, Module: H, Type of Equipment; Pressure Accessory-Vessel, Type of Fluid; Liquid and gas, Group of Fluid: 1 and 2	PE3	
Material Certificate *12		Process connector	M15	
Pressure test/ Leak test certificate		Test Pressure: 200 kPa (2 kgf/cm ²) *13	Nitrogen(N ₂) Gas or Water *17 Retention time: one minute	
		Test Pressure: 2 MPa (20 kgf/cm ²) *14		
		Test Pressure: 10 MPa (100 kgf/cm ²) *15		
		Test Pressure: 50 MPa (500 kgf/cm ²) *16		
		Test Pressure: 70 MPa (10150 psi) *23		
High pressure-proof structure*26		Maximum working pressure: 70MPa.	HG	

Contact Yokogawa representative for the codes indicated as '-':

- *1: Applicable for Electrical connection code 2, 4, 7, 9, C and D.
- *2: Not applicable for option code /AL.
- *3: Applicable for output signal code D, E, and J.
- *4: Not applicable for measurement range 70 MPa (EJX6□0A D range and EJA5□0E /HG).
- *5: Applicable only for process connection code 0, 1, 2, 3, 4, 5, 6, 7, 8, 9 or A, for those models which have a definition of "process connection" in their suffix code structure.
Not applicable for a diaphragm seal system (EJXC40A, EJXC50A, EJAC50E, EJXC80A or EJAC80E).
- *6: Not applicable with color change option.
- *7: This specification is included when amplifier case code 2 is specified.
- *8: Check/External indicator terminals cannot be used when this option code is specified. Not applicable for output signal code F.
- *9: The unit of MWP (Max. working pressure) on the name plate of a housing is the same unit as specified by option codes D1, D3, and D4.
- *10: Applicable for output signal codes D, E and J. The hardware error indicates faulty amplifier or capsule.
- *11: Also see 'Ordering Information'.
- *12: Material traceability certification, per EN 10204 3.1B.
- *13: Applicable for capsule code A.
- *14: Applicable for capsule code B.
- *15: Applicable for capsule code C.
- *16: Applicable for capsule code D of EJ□510□ and EJ□530□.
- *17: Pure nitrogen gas or pure water is used for oil-prohibited use (option codes K1 and K2).
- *18: Applicable for wetted parts material code S.
- *19: Applicable only for output signal code -E and -J.
- *20: The change of pressure fluctuation is monitored and then detects the impulse line blockage. See TI 01C25A31-01E for detailed technical information required for using this function.
- *21: Applicable for measurement span code D. If compliance with category III is needed, specify this option code.
- *22: Applicable for EJX630A, EJA510E and EJA530E.
Not applicable for the combination of measurement span code A and wetted parts material code H.
Not applicable for option code K2, K3 or A1.
When specified range value includes minus value for A capsule, the accuracy shall be the standard accuracy even if high accuracy option (/HAC) is specified.
- *23: Applicable for capsule code D of EJX610A and EJX630A. Applicable also for EJA510E and EJA530E with /HG.
- *24: Output status at CPU failure and hardware error is -5%, 0.8V DC or less for output signal code Q.
- *25: The 1 to 5 V voltage output corresponding to 4 to 20 mA current output is applied to output signal code Q which is non-compliant to NAMUR NE43.
- *26: Applicable for capsule code D of EJA510E and EJA530E.

● **Optional Specifications (for Diaphragm Seal System)**

Following table shows the option codes dedicated for EJXC50A or EJAC50E Diaphragm Seal System. These codes cannot be specified without a diaphragm seal system. Please refer to the IM 01C25W01-01EN.

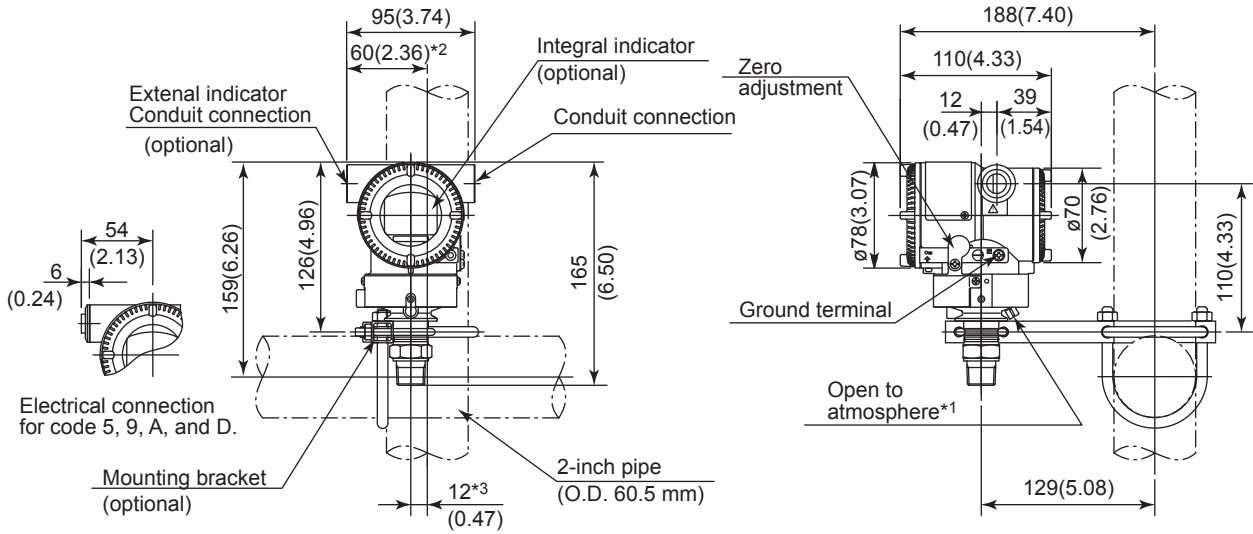
Item	Description	Code
Oil-prohibited use	Degrease cleansing treatment	K11
	Degrease cleansing treatment and fluorinated oil filled capsule. Operating temperature -20 to 80°C (-4 to 176°F)	K12
Oil-prohibited use with dehydrating treatment	Degrease cleansing and dehydrating treatment	K15
	Degrease cleansing and dehydrating treatment with fluorinated oil filled capsule. Operating temperature -20 to 80°C (-4 to 176°F)	K16
Capsule fill fluid	Fluorinated oil filled in capsule. Operating temperature -20 to 80°C (-4 to 176°F)	K13

9.4 Dimensions

● Model EJ□510□, EJ□530□, EJX610A and EJX630A

Unit: mm (approx. inch)

● With Process connections code 7



*1: Only for EJ□530□ and EJX630A whose measurement span code is A, B, or C.

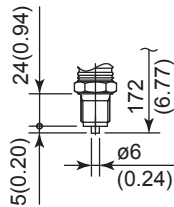
*2: 58 mm(2.28 inch) for measurement span code D.

*3: 11 mm(0.43 inch) for measurement span code D.

● With Process connections code 4

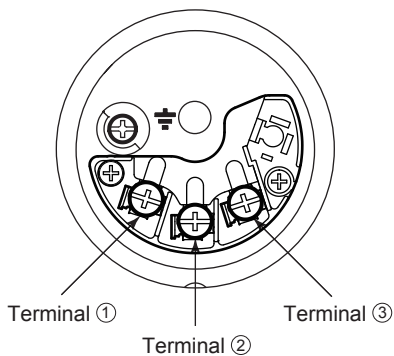


● With Process connections code 8 and 9



F0904.ai

• Terminal Configuration



• Terminal Wiring for 4 to 20 mA output, FOUNDATION Fieldbus type, and PROFIBUS PA type.

SUPPLY	+	①	Power supply and output terminals
	-	②	
CHECK or ALARM	+	③	External indicator (ammeter) terminals*1*2 or Status contact output terminals*2 (when /AL is specified)
	-	②	
⏏			Ground terminal

*1: When using an external indicator or check meter, the internal resistance must be 10 Ω or less. A check meter or indicator cannot be connected when /AL option is specified.

*2: Not available for FOUNDATION Fieldbus and PROFIBUS PA communication types.

• Terminal Wiring for 1 to 5 V output

SUPPLY	+	①	Power supply terminals
	-	②	
VOUT	+	③	1 to 5 V DC with HART communication terminals
	-	②	
⏏			Ground terminal

F0905.ai

Revision Information

- Title : Absolute Pressure and Gauge Pressure Transmitters
EJ□510□, EJ□530□, EJX610A and EJX630A
- Manual No. : IM 01C25F01-01E

Edition	Date	Page	Revised Item
1st	Aug. 2004	—	New publication.
11th	June 2014	1-2 2-6 2-13 6-1 to 6-4 6-1 6-2, 7-1 7-3 to 7-8 9-10	1. • Add note for symbols. 2.9.2 • Revise category for CSA Nonincendive. 2.12 • Update safety requirement standard. 6. • Revise drawings and symbols for terminal. 6.3.1 • Add note for power supply. Add note for BRAIN communication. 7.5 • Add local parameter setting function. 9.4 • Change terminal drawing.
12th	Oct. 2014	2-3 2-5 2-7, 2-8 2-9 to 2-11 2-13 2-14 6-1 6-2 6-3 to 6-4 6-5 7-4 7-5 7-6 7-7 8-8 9-2 to 9-4 9-4 9-7 9-8 9-9 9-11	2.8 • Add information for 1 to 5 V output. 2.9.1 • Add information for 1 to 5 V output. 2.9.2 • Add information for 1 to 5 V output. 2.9.3 • Add information for 1 to 5 V output. 2.9.4 • Add EPL code. Revise applicable standard. Add information for 1 to 5 V output. Add note for electro static charge. Add electrical connection. 2.10 • Add standard for PROFIBUS. 6.3 • Add Figure 6.1 Terminal. 6.3.3 • Add information for 1 to 5 V output. 6.4 • Add information for 1 to 5 V output. 6.6 • Add applicability. 7.5.1 • Add "10.Device information" in Figure 7.7. 7.5.3 • Add note in the figure. 7.5 • Add 7.5.6 Pressure LRV/URV Configuration. 7.5 • Add 7.5.8 Output Mode Configuration and 7.5.9 Display Out 1 Configuration. 8.5.3 • Correct AL31 output operation. 9.1 • Add information for 1 to 5 V output. • Add information for /HG. • Add EMC standard for PROFIBUS and EMI specification. 9.2 • Add output signal code Q 9-3 • Revise the description for SU2 and SF2. • Add /HG 9.4 • Add information for 1 to 5 V output.
13th	July 2015	1-2 1-3 2-1 2-5, 2-7, 2-9, 2-15 2-6, 2-7 2-12 2-12 to 2-13 2-15 2-16 7-4 7-5 9-4 9-5 to 9-7 9-8	• Add trademark statement. 1.1 • Add (g) and (h). 2.1 • Replace Figure 2.2. • Delete /V1F. 2.9.2 • Add "No.61010-2-030." 2.9.3 (6) • Replace nameplate. 2.9.4 • Add SU21. Add a and b. 2.10 • Change the note for EN 61326-2-5. 2.12 • Add C22.2 standards. 7.5.1 • Delete note for -Q in Figure 7.7. 7.5.3 • Change note in the figure. 9.1 • Revise descriptions for EMC conformity standards. 9.2 • Delete #. 9.3 • Add SU21.

Edition	Date	Page	Revised Item
14th	Oct. 2018	1-1	<ul style="list-style-type: none"> 1. • Add style S2 for EJA510E and EJA530E. • Add instruction in "Regarding This Manual."
		1-2 to 1-3	<ul style="list-style-type: none"> 1.1 • Add WARNING mark.
		1-4	<ul style="list-style-type: none"> • Add (i)
		2-3	<ul style="list-style-type: none"> 2.8 • Correct current value of dielectric strength test. 10 mA -> 25 mA
		2-4	<ul style="list-style-type: none"> 2.9.1 a. • Add Control Drawing.
		2-5	<ul style="list-style-type: none"> 2.9.1 b. • Add notes for output signal code P and S.
		2-8 to 2-9	<ul style="list-style-type: none"> 2.9.3 (1) a. • Update Applicable Standards. Modify "Special Conditions for Safe Use."
		2-9 to 2-10	<ul style="list-style-type: none"> 2.9.3 (1) b. • Update Applicable Standards and Type of Protection. (Ex d -> Ex db), Modify "Specific Conditions of Use."
		2-11	<ul style="list-style-type: none"> 2.9.3 (1) c. • Update Applicable Standards for Ex ic.
		2-12	<ul style="list-style-type: none"> 2.9.3 (6) • Update Tag plate for flameproof type.
		2-13	<ul style="list-style-type: none"> 2.9.4 a. • Add description of Enclosure. Modify "Specific Conditions of Use."
		2-14	<ul style="list-style-type: none"> 2.9.4 c. • Delete c (contents for old /SU2.) Add protection code Gb.
		2-15	<ul style="list-style-type: none"> 2.10 • Add descriptions in CAUTION.
		2-16	<ul style="list-style-type: none"> 2.11 • Update the directive of PED. (97/23/EC -> 2014/68/EU)
		2-16	<ul style="list-style-type: none"> Add "2.12 EU RoHS Directive."
		4-2	<ul style="list-style-type: none"> 2.13 • Update Standards. Delete altitude.
		7-2	<ul style="list-style-type: none"> 4.3 • Add WARNING. Modify the description for rotation.
		9-4	<ul style="list-style-type: none"> 7.2 • Add NOTE for zero adjustment.
		9-5 to 9-10	<ul style="list-style-type: none"> 9.1 • Update the descriptions for Housing.
		9-5 to 9-10	<ul style="list-style-type: none"> 9.2, 9.3 • Add codes for Diaphragm Seal System, option codes for local certification and marine certification, option codes of K5 and K6.